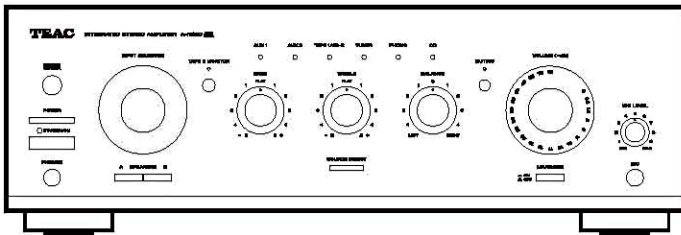


TEAC



SERVICE MANUAL

A-R630/A-R650

INTEGRATED STEREO AMPLIFIER

CONTENTS

| | |
|---|----|
| 1. SPECIFICATIONS | 2 |
| 2. BRIEF OVERVIEW OF LSI | 3 |
| 3. EXPLODED VIEWS AND PARTS LISTS | 5 |
| 4. PC BOARDS | 8 |
| 5. INCLUDED ACCESSORIES | 15 |

NOTES

- PC boards shown are viewed from parts side.
- The parts with no reference number or no parts number in the exploded views are not supplied.
- As regards the resistors and capacitors, refer to the circuit diagrams supplied prior to this manual.
- ⚠ Parts marked with this sign are safety critical components. They must be replaced with designated components.
- Destination of product is expressed by [] mark and ensure exact replacement:
[EUR]: EUROPE; [JPN]: JAPAN; [UK]: U.K

1. SPECIFICATIONS

A-R630

Amplifier Section

| | |
|-----------------------------|--|
| Continuous Power Output | 90W RMS (1 kHz, 4 ohms, 0.5%) 60W (1 kHz, 8 ohms, 0.5%) |
| Total Harmonic Distortion | 0.02% (1 kHz, 8 ohms, 45W) |
| Input Sensitivity/Impedance | PHONO: 2.8 mV/47 kohms LINE: 180 mV/47 kohms |
| Frequency Response | PHONO: 20 to 20,000 Hz, ± 1 dB (RIAA) LINE*: 5 to 80,000 Hz, (SOURCE DIRECT, 1 W) |
| Tone Control | BASS: ± 10 dB at 100 Hz TREBLE: ± 10 dB at 10 kHz |
| Muting | -20 dB |

General

| | |
|------------------------|---|
| Power Requirements | 230 V AC, 50 Hz [EUR], [UK] 100 V AC, 50-60 Hz [JPN] |
| Power Consumption | 200 W |
| Standby | 0.5 W |
| Dimensions (W x H x D) | 435 x 142 x 355 mm |
| Weight (net) | 8.1 kg |

Standard Accessories

| | |
|------------------------------|-----|
| Remote Control Unit (UR-431) | x 1 |
| Battery (AAA, R03, UM-4) | x 2 |
| Owner's Manual | x 1 |
| Warranty Card | x 1 |

*: LINE means TUNER, CD, AUX1, AUX2, TAPE1/CD-R, TAPE2.

A-R650

Amplifier Section

| | |
|-------------------------------|--|
| Continuous Power Output | 120 W+120 W RMS (1 kHz, 4 ohms, 0.5%) 90 W+90 W (1 kHz, 8 ohms, 0.5%) |
| Total Harmonic Distortion | 0.02% (1 kHz, 8 ohms, 45W) |
| Input Sensitivity/Impedance | PHONO: 2.8 mV/47 kohms LINE: 180 mV/47 kohms |
| Signal-to-Noise Ratio (IHF-A) | PHONO: 65 dB LINE*: 90 dB |
| Frequency Response | PHONO: 20 to 20,000 Hz, ± 1 dB (RIAA) LINE*: 5 to 80,000 Hz, (SOURCE DIRECT, 1 W) |
| Tone Control | BASS: ± 10 dB at 100 Hz TREBLE: ± 10 dB at 10 kHz |
| Muting | -20 dB |

General

| | |
|------------------------|---|
| Power Requirements | 230 V AC, 50 Hz [EUR], [UK] 100 V AC, 50-60 Hz [JPN] |
| Power Consumption | 300 W |
| Standby | 0.5 W |
| Dimensions (W x H x D) | 435 x 142 x 355 mm |
| Weight (net) | 9.2 kg |

Standard Accessories

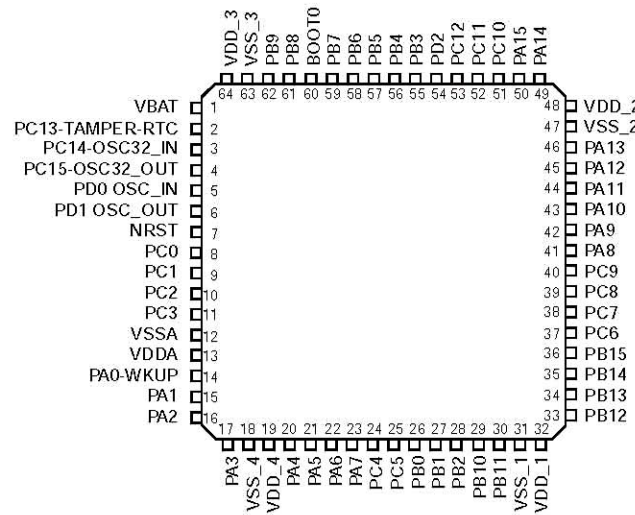
| | |
|------------------------------|-----|
| Remote Control Unit (UR-431) | x 1 |
| Battery (AAA, R03, UM-4) | x 2 |
| Owner's Manual | x 1 |
| Warranty Card | x 1 |
| AC Power Cord | x 1 |

*: LINE means TUNER, CD, AUX1, AUX2, TAPE1/CD-R, TAPE2.

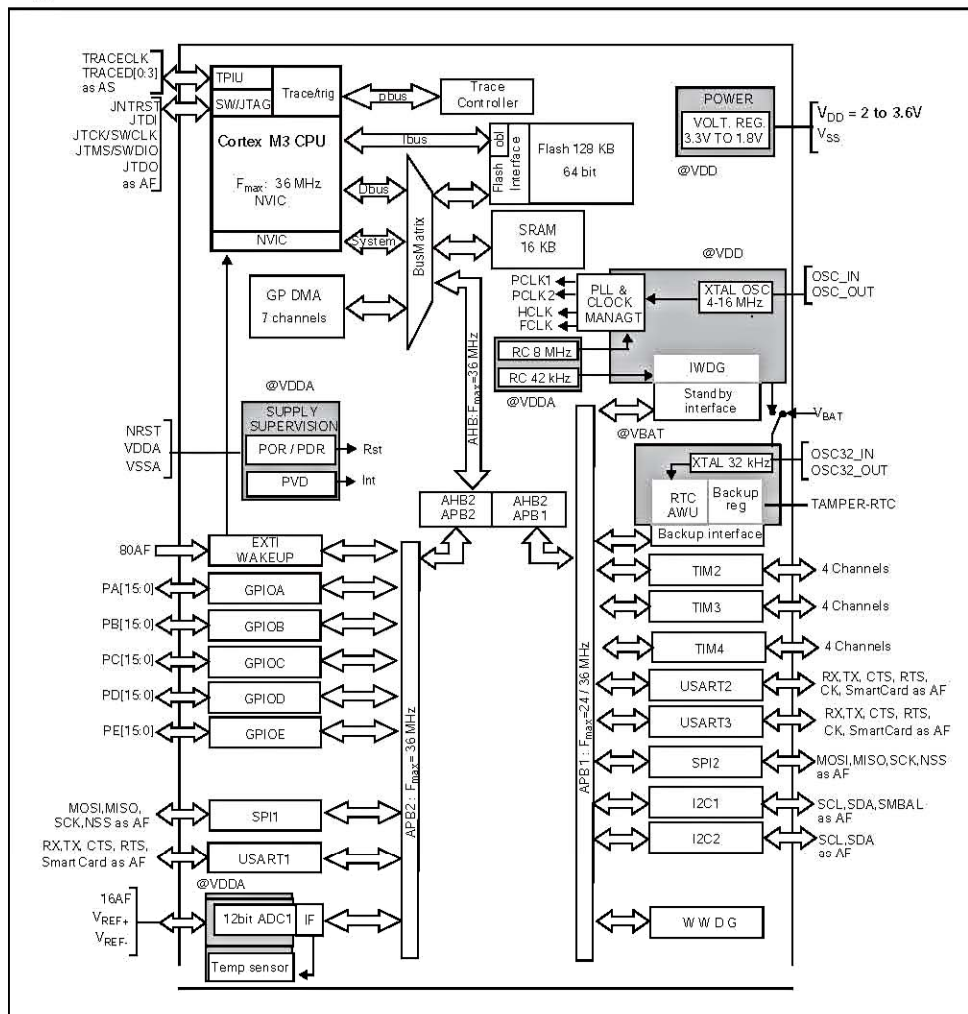
2. BRIEF OVERVIEW OF LSI

Access line, advanced ARM-based 32-bit MCU with Flash memory, six 16-bit timers, ADC and seven communication interfaces
STM32F101R8T6, FRONT PCBA IC21

Pin Configuration (Top View)



Block Diagram

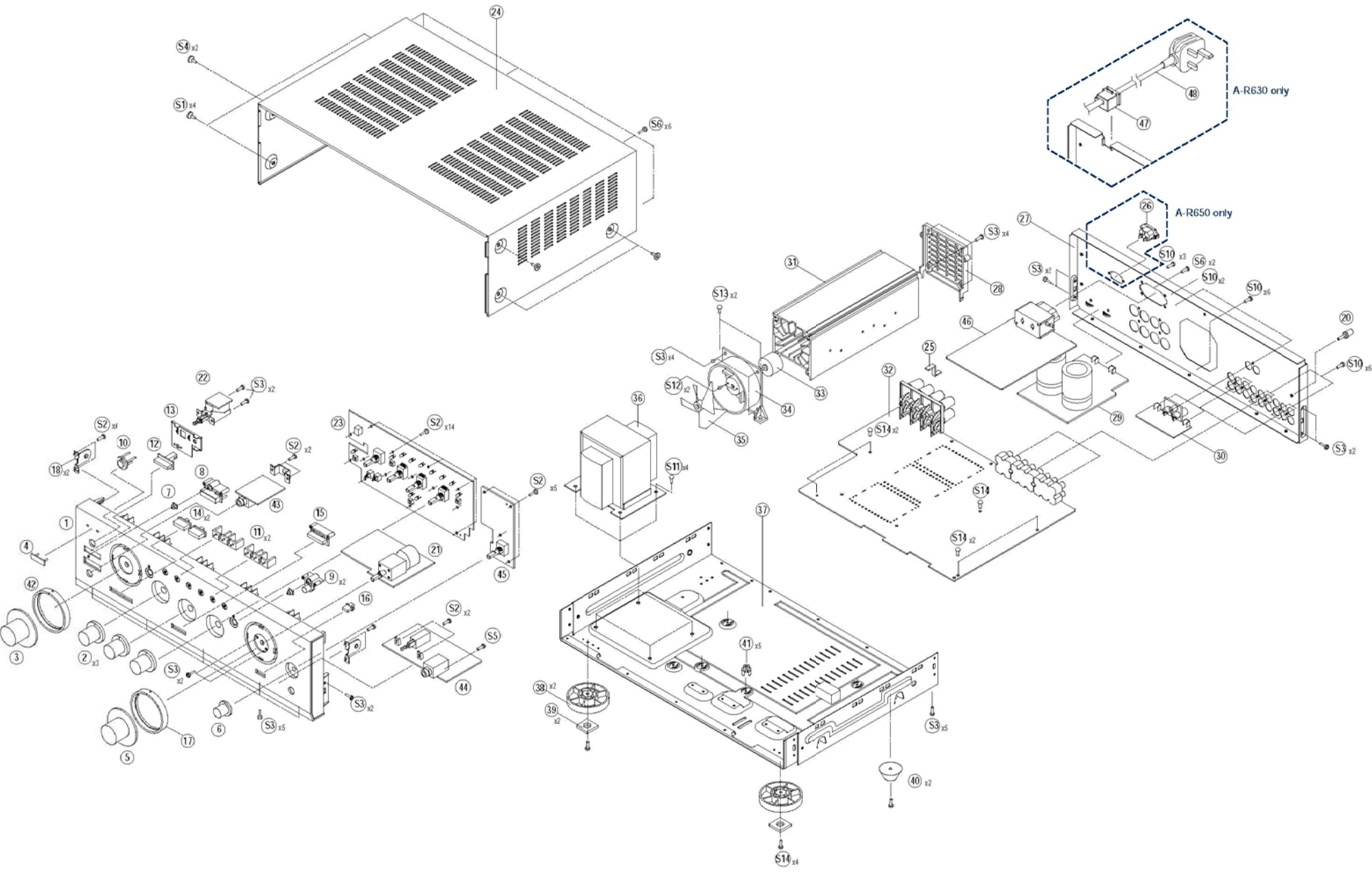


Pin Definitions

| Pins | Pin name | Type | Signal name |
|------|-----------------|------|-------------|
| 1 | VBAT | S | VBAT |
| 2 | PC13-TAMPER-RTC | I/O | TUNER UTE |
| 3 | PC14-OSC32_IN | I/O | -20DB MUTE |
| 4 | PC15-OSC32_OUT | I/O | PWR MUTE |
| 5 | OSC_IN | I | OSC IN |
| 6 | OSC_OUT | O | OSC OUT |
| 7 | NRST | I/O | RESET |
| 8 | PC0 | I/O | KEY IN |
| 9 | PC1 | I/O | VOL DN |
| 10 | PC1 | I/O | VOL UP |
| 11 | PC3 | I/O | SOURCE DIR |
| 12 | VSSA | S | GND |
| 13 | VDDA | S | VDDA |
| 14 | PA0-WKUP | I/O | FUNC MUTE |
| 15 | PA1 | I/O | TP |
| 16 | PA2 | I/O | IPOD RX |
| 17 | PA3 | I/O | IPOD TX |
| 18 | VSS_4 | S | GND |
| 19 | VDD_4 | S | VDD |
| 20 | PA4 | I/O | CP CS3 |
| 21 | PA5 | I/O | CP_CLK |
| 22 | PA6 | I/O | CP_DO |
| 23 | PA7 | I/O | CP_DI |
| 24 | PC4 | I/O | CP_RESET |
| 25 | PC5 | I/O | PROTECT IN |
| 26 | PB0 | I/O | MUTING |
| 27 | PB1 | I/O | REMOTE IN |
| 28 | PB2/BOOT1 | I/O | BOOT1 |
| 29 | PB10 | I/O | FUNC DN |
| 30 | PB11 | I/O | FUNC UP |
| 31 | VSS_1 | S | GND |
| 32 | VDD_1 | S | VDD |

| Pins | Pin name | Type | Signal name |
|------|-----------------|------|---------------|
| 33 | PB12 | I/O | FUNC_STB |
| 34 | PB13 | I/O | FUNC_CLK |
| 35 | PB14 | I/O | TAPE_MUTE |
| 36 | PB15 | I/O | FUNC_DATA |
| 37 | PC6 | I/O | DC |
| 38 | PC7 | I/O | PHONO |
| 39 | PC8 | I/O | TAPE |
| 40 | PC9 | I/O | AUX1 |
| 41 | PA8 | I/O | MONITOR |
| 42 | PA9 | I/O | UPDATE TX |
| 43 | PA10 | I/O | UPDATE RX |
| 44 | PA11 | I/O | NC |
| 45 | PA12 | I/O | IPOD |
| 46 | PA13/JTMS/SWDIO | I/O | JTAG TMS |
| 47 | VSS_2 | S | GND |
| 48 | VDD_2 | S | VDD |
| 49 | PA14/JTCK/SWCLK | I/O | JTAG TCK |
| 50 | PA15/JTDI | I/O | JTAG TDI |
| 51 | PC10 | I/O | STBY LED |
| 52 | PC11 | I/O | TUNER |
| 53 | PC12 | I/O | POWER DETECT |
| 54 | PD2 | I/O | POWER ON |
| 55 | PB3/JTDO | I/O | JTAG TDO |
| 56 | PB4/JNTRST | I/O | JTAG TRST |
| 57 | PB5 | I/O | SIGNAL DETECT |
| 58 | PB6 | I/O | BUS IN |
| 59 | PB7 | I/O | BUS OUT |
| 60 | BOOT0 | I | BOOT0 |
| 61 | PB8 | I/O | IPOD DETECT |
| 62 | PB9 | I/O | NC |
| 63 | VSS_3 | S | GND |
| 64 | VDD_3 | S | VDD |

3. EXPLODED VIEWS AND PARTS LISTS



A-R630 & A-R650

EXPLODED VIEW

| REF. NO. | PARTS NO. | DESCRIPTION | REMARKS |
|----------|----------------|------------------------------------|-----------------------------------|
| 1 | CGW4A245VB38 | PANEL, FRONT | |
| 2 | CBN2A052Y | KNOB, ROTARY | |
| | CBN2A052G5 | KNOB, ROTARY Silver [JPN] | |
| 3 | KGX1A216YA | VOLUME CAP ASSY (A) | |
| | KGX1A216UA | VOLUME CAP ASSY (A) Silver [JPN] | |
| 4 | CGB1A165H8 | BADGE, TEAC | |
| | CGB1A229H8 | BADGE, TEAC Silver [JPN] | |
| 5 | KGX1A216VA | VOLUME CAP ASSY (A) | |
| | KGX1A216SA | VOLUME CAP ASSY (A) Silver [JPN] | |
| 6 | CBN1A079YK66 | KNOB, ROTARY | |
| | CBN1A079G5 | KNOB, ROTARY Silver [JPN] | |
| 7 | CGL1A109 | INDICATOR, FUNCTION | |
| 8 | CBT1A604 | KNOB, POWER | |
| | CBT1A604G5 | KNOB, POWER Silver [JPN] | |
| 9 | CBT1A603 | KNOB, TACT | |
| | CBT1A603G5 | KNOB, TACT Silver [JPN] | |
| 10 | CGR2A154 | ORNAMENT, REMOTE | |
| 11 | CGL1A162 | INDICATOR, FUNCTION | |
| 12 | CBC1A095 | KNOB, LOUDNESS | |
| | CBC1A095G5 | KNOB, LOUDNESS Silver [JPN] | |
| 13 | CMD1A363 | BRACKET, POWER | |
| 14 | CBC1A114 | KNOB, SPEAKER | |
| | CBC1A114G5 | KNOB, SPEAKER Silver [JPN] | |
| 15 | CBT1A605 | KNOB, DIRECT | |
| | CBT1A605G5 | KNOB, DIRECT Silver [JPN] | |
| 16 | CBC1A115 | KNOB, LOUDNESS (PUSH) | |
| | CBC1A115G5 | KNOB, LOUDNESS (PUSH) Silver [JPN] | |
| 17 | KGX1A219C58 | HOUSING, VOLUME | |
| 18 | CMD1A355 | BRACKET, TOP | |
| 19 | CMK1A019 | BRACKET, VOLUME | |
| 20 | KMA2A001 | TERMINAL, GROUND | |
| 21 | COP12283B | A-R650 PREAMP PCB ASSY | |
| | COP12283C | A-R630EUR/UK PREAMP PCB ASSY | |
| | COP12283D | A-R630S JPN PREAMP PCB ASSY | |
| 22 | | POWER SW PCB ASSY | United on FRONT PCBA, see page 11 |
| 23 | COP12281B | FRONT PCB ASSY A-R650 [EUR], [UK] | |
| | COP12281C | FRONT PCB ASSY A-R630 [EUR], [UK] | |
| | COP12346B | FRONT PCB ASSY A-R630S [JPN] | |
| 24 | CKC3A085B25 | CABINET, TOP [EUR], [UK] | |
| | CKC3A085G51 | CABINET, TOP A-630S [JPN] | |
| 25 | CMD1A490 | BRACKET, HEATSINK | |
| 26 | CJJ8A006ZW | RECEPTACLE, AC 15 A/250 V | A-R650 only |
| 27 | CKF1A424Z | PANEL, REAR A-R650 [EUR], [UK] | |
| | CKF3A424Z | PANEL, REAR A-R630 [EUR], [UK] | |
| | CKF4A424Z | PANEL, REAR A-R630S [JPN] | |
| 28 | CGP2A015 | COVER, HEATSINK | |
| 29 | COP12281B | SPEAKER PCB ASSY | United on FRONT PCBA, see page 11 |
| 30 | | REMOTE PCB ASSY | United on PREAM PCBA, see page 12 |
| 31 | CMY1A358 | HEATSINK | |
| 32 | COP12282B | MAIN PCB ASSY A-R650 [EUR], [UK] | |
| | COP12282C | MAIN PCB ASSY A-R630 [EUR], [UK] | |
| | COP12282D | MAIN PCB ASSY A-R630S [JPN] | |
| 33 | CDMCCM05045R18 | MOTOR | |

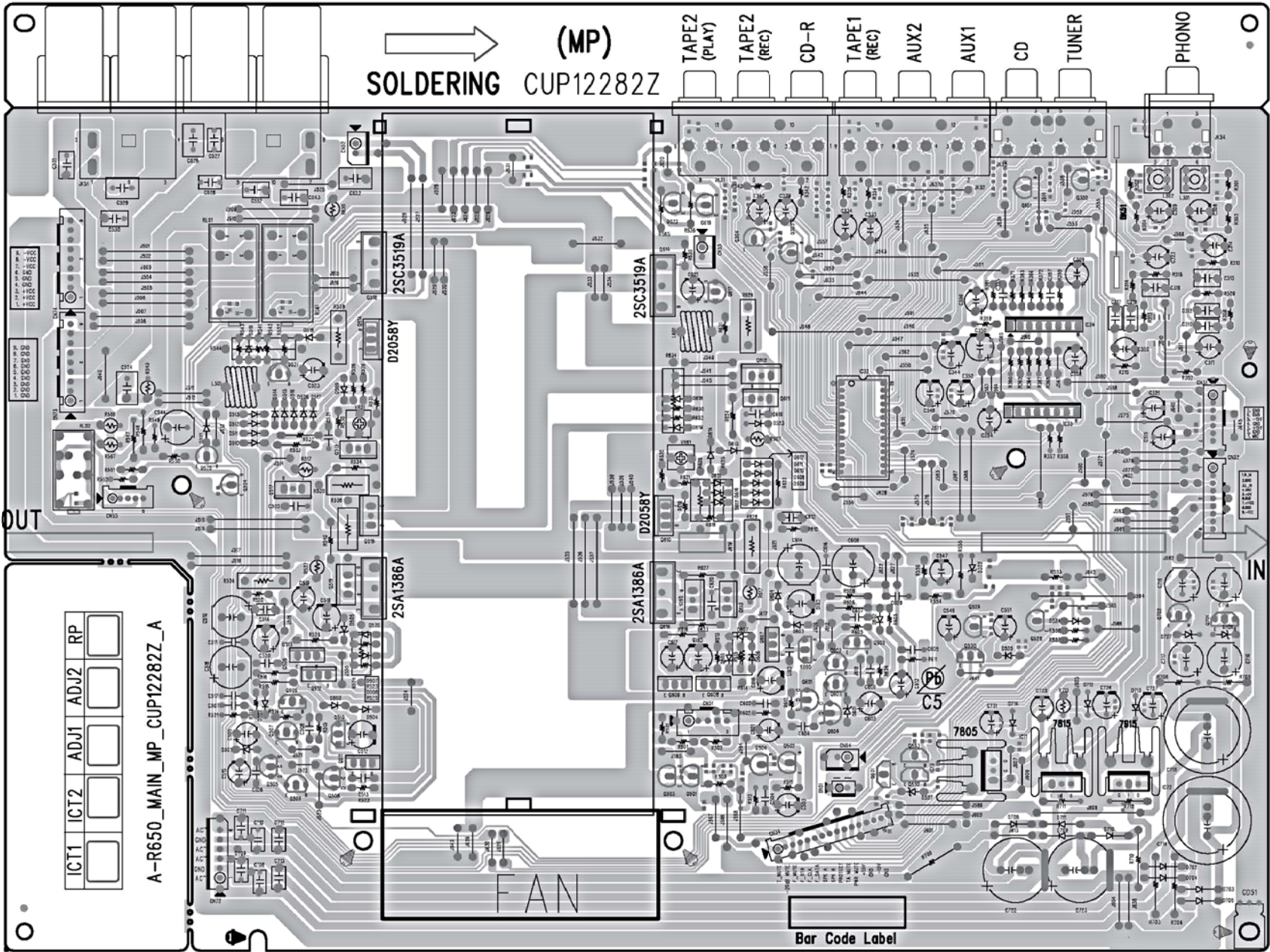
A-R630 & A-R650

EXPLODED VIEW

| REF. NO. | PARTS NO. | DESCRIPTION | REMARKS |
|----------|-------------|---------------------------------|-----------------------------------|
| 34 | CGP3A016 | FAN FRAME | |
| 35 | CDD1A013 | FAN | |
| 36 | CLT5U044ZE | TRANS, POWER A-R630 [EUR], [UK] | |
| | CLT5U044ZJ | TRANS, POWER A-R630S [JPN] | |
| | CLT5V056ZE | TRANS, POWER A-R650 [EUR], [UK] | |
| 37 | CUA5A148 | BOTTOM CHASSIS | |
| 38 | CKL2A042H11 | FOOT, FRONT | |
| 39 | KHG1A050 | FOOT CUSHION | |
| 40 | CKL1A012 | FOOT, RUBBER (BLACK) | |
| 41 | CHE170 | PCB HOLDER | |
| 42 | KGX2A219C58 | HOUSING, VOLUME | |
| 43 | | H/P PCB ASSY | United on FRONT PCBA, see page 11 |
| 44 | | LOUDNESS PCB ASSY | United on FRONT PCBA, see page 11 |
| 45 | | MIC PCB ASSY | United on FRONT PCBA, see page 11 |
| 46 | | SUB TRANS PCB ASSY | United on FRONT PCBA, see page 11 |
| 47 | KHR1A028 | BUSHING, AC CORD | A-R630 only |
| 48 | CJA2B043ZA | CORD, POWER [EUR], [UK] | A-R630 only |
| | CJA2J049YA | CORD, POWER [JPN] | A-R630 only |
| S1 | CTB4+6FFZR | SCREW Black | |
| | CTB4+6FFC | SCREW Silver | |
| S2 | CTB3+10GR | SCREW | |
| S3 | CTB3+8JR | SCREW | |
| S4 | CTB4+6FFZR | SCREW Black | |
| | CTB4+6FFC | SCREW Silver | |
| S5 | CTWS3+10GR | SCREW | |
| S6 | CTB3+8JFZR | SCREW Black | |
| | CTB3+8JFC | SCREW Silver | |
| - | | | |
| S10 | CTB3+10GFZR | SCREW | |
| S11 | CTB4+8FR | SCREW | |
| S12 | CSN2+4R | SCREW | |
| S13 | CTW3+16JR | SCREW | |
| S14 | CTW3+8JR | SCREW | |

4. PC BOARDS AND PARTS LISTS

MAIN PCB



A-R630 & A-R650

MAIN PCB ASSY

| REF. NO. | PARTS NO. | DESCRIPTION | REMARKS |
|------------------|-------------------|---|---------|
| | COP12282B | MAIN PCB ASSY A-R650 | |
| | COP12282C | MAIN PCB ASSY A-R630 [EUR], [UK] | |
| | COP12282D | MAIN PCB ASSY A-R630S [JPN] | |
| | └CUP12282Z | PCB,MAIN A-R650 (330X247, FR1/1) | |
| BK51 | CMD1A576 | SHIELD, PLATE | |
| BN51 | KRTNTC5D103 | THERMISTER, NTC5D103 | |
| C344,346,350,352 | CCEA1EH101T | CAP, ELECT 100 UF/25 V | |
| C726,727 | | | |
| C714,715 | CCEA1HH222ES | CAP, ELECT 2200 UF/50 V | |
| C718,719 | CCEA1HH101T | CAP, ELECT 100 UF/50 V | |
| C722,723 | CCEA1VH102E | CAP, ELECT 1000 UF/35 V | |
| C731 | CCEA1CH101T | CAP, ELECT 100 UF/16 V | |
| CN31 | CJP07GI236ZW | WAFER, 7 P LOCKING TYPE STRAIGHT 2 MM | |
| CN32 | CJP09GI236ZW | WAFER, 9 P LOCKING TYPE STRAIGHT 2 MM | |
| CN34 | CJP15GI236ZW | WAFER, 15 P LOCKING TYPE STRAIGHT 2 MM | |
| CN51 | CJP05GI237ZW | WAFER, 5 P LOCKING TYPE STRAIGHT 2.5 MM | |
| CN52~54 | CJP02GA01ZY | WAFER, 2 P STRAIGHT | |
| CN55 | CJP05GI236ZW | WAFER, 5 P LOCKING TYPE STRAIGHT 2 MM | |
| CN72 | CJP06GA01ZY | WAFER, 6 P | |
| CN73,74 | CJP09GI237ZW | WAFER, 9 P LOCKING TYPE STRAIGHT 2.5MM | |
| D302,304,305,307 | CVDPG05GBUSCRTPK | DIODE, ESD PROTECTION PG05GBUSC | |
| D501,601 | CVDJ6.2BT | DIODE, ZENER ZJ6.2B 1/2 W 6.2V | |
| D502~504,506~519 | CVD1SS133MT | DIODE, SWITCHING 1SS133 | |
| D521,523~525 | | | |
| D602~604,606~617 | | | |
| D505,522,605 | CVDJ6.2BT | DIODE, ZENER ZJ6.2B 1/2W 6.2V | |
| D520,528,620 | CVD1SS355T | DIODE, SWITCHING 1SS355 | |
| D527 | CVDJ13BT | DIODE, ZENER ZJ13B 1/2 W 13V | |
| D702~705,708~711 | CVD1N4003ST | DIODE, RECT 1N4003 | |
| D706,707 | CVDJ30BT | DIODE, ZENER ZJ30B 1/2 W 30V | |
| D712~714 | CVD11EQS10GT | DIODE, SCHOTTKY 11EQS10 (100 V/1 A) | |
| GD51 | HJT1A025 | PALTE, EARTH | |
| IC31 | HVINJM2068MDTE1 | I.C, OP AMP NJM2068MD | |
| IC32 | HVINJU7312L | I.C, NJU7312AL | |
| IC33,34 | HVINJM4556AL | I.C, HEADPHONE NJM4556AL | |
| IC71 | CVIKIA7815APIVA | HEATSINK ASSY (CMY1A043) | |
| | └CVIKIA7815APIUPF | I.C, REGULATOR KIA7815API +15V | |
| | CMY1A043 | HEATSINK, TRANSISTOR | |
| | CTB3+8JR | SCREW | |
| IC72 | CVIKIA7915PIVA | HEATSINK ASSY (CMY1A043) | |
| | └CVIKIA7915PI | I.C, REGULATOR KIA7815API -15V | |
| | CMY1A043 | HEATSINK, TRANSISTOR | |
| | CTB3+8JR | SCREW | |
| IC73 | HVIKIA7805API | I.C, REGULATOR 7805API +5V | |
| JK31,32 | CJJ4R020W | JACK, BOARD | |
| JK33 | CJJ4P058Z | JACK, IN/OUT | |
| JK34 | CJJ4N060Z | JACK, BOARD 2P (GOLD) | |
| JK51 | CJJ5Q006Z | TERMINAL, SPEAKER | |
| L301,302 | CLU9S006Z | COIL, TOROIDAL | |
| L501,601 | CLEY0R5KAK | COIL, SPEAKER 0.5 UH | |
| Q301~304,501~504 | HVTKTC2874BT | T.R, MUTE KTC2874B | |
| Q505,508,601,604 | HVT2SK117-BL | F.E.T, 2SK117-BL | |
| Q506,507,602,603 | HVTKTC3200GRT | T.R, KTC3200GR | |

A-R630 & A-R650

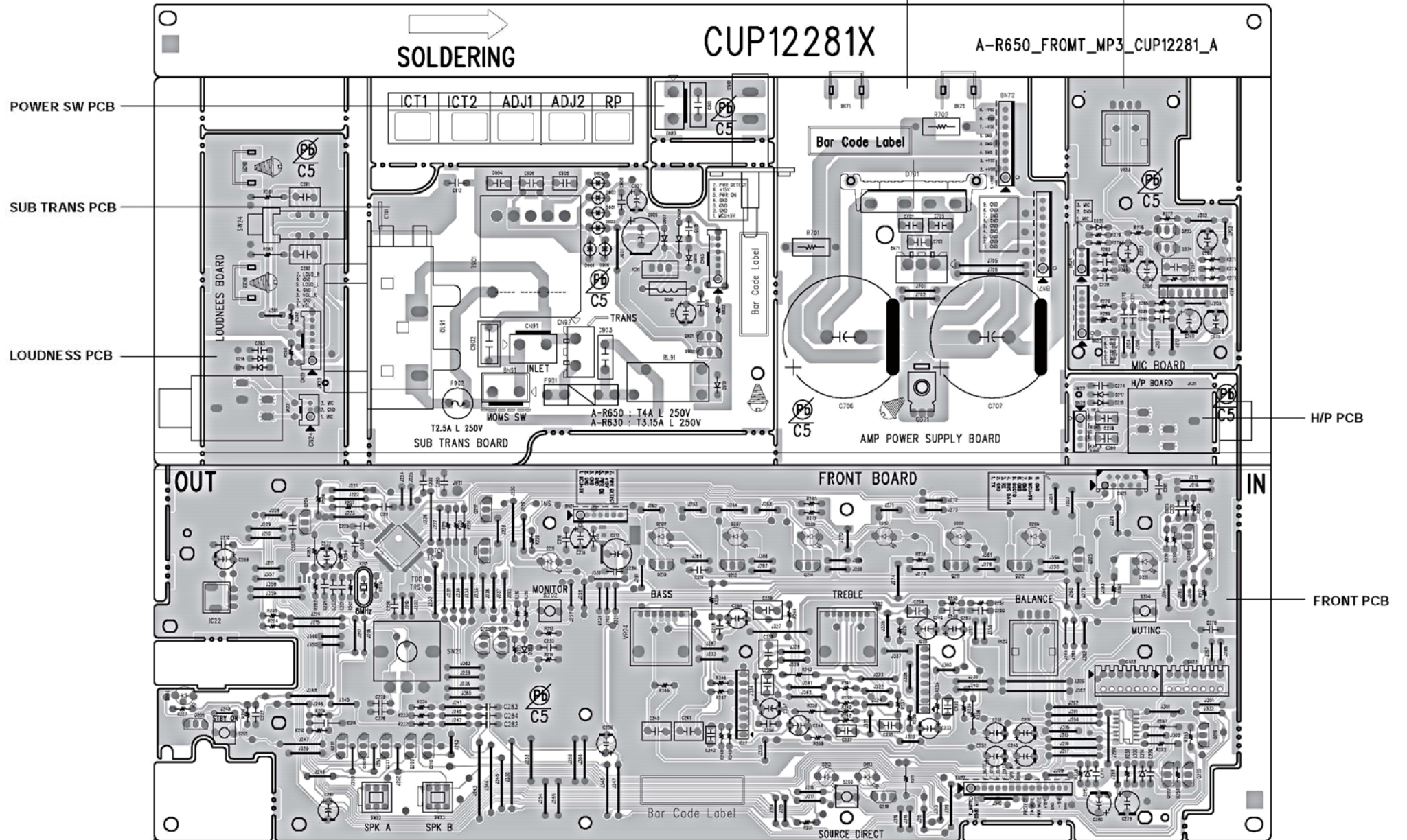
MAIN PCB ASSY

| REF. NO. | PARTS NO. | DESCRIPTION | REMARKS |
|--------------------------|----------------|--|---------|
| Q509,510,531,605 Q606 | HVTKTA1267YT | T.R, KTA1267Y | |
| Q511,607 | HVT2SA1209S | T.R, 2SA1209S | |
| Q512,513,608,609 | HVT2SC2911S | T.R, 2SC2911S | |
| Q514.610 | HVTKTD2058Y | T.R, KTD2058Y | |
| Q515,611 | HVT2SC3423O | T.R, 2SC3423O | |
| Q516,612 | HVTKTD2061Y | T.R, DRIVE KTD2061Y | |
| Q517,613 | HVT2SA1360O | T.R, 2SA1360O | |
| Q519,615 | HVTKTB1369Y | T.R, DRIVE KTB1369Y | |
| Q521,524,525,528 | HVTKTC3198YT | T.R, KTC3198Y | |
| Q522,526,527,618 | HVTKRA107S | T.R, KRA107S | |
| Q523,619 | HVTKTC3203YT | T.R, KTC3203Y | |
| Q529,617 | HVTKTC3198YT | T.R, KTC3198Y | |
| Q530 | CVTKTA1272YT | T.R, KTA1272Y | |
| Q532,533 | HVTKTC3199YT | T.R, KTC3199Y | |
| Q701 | CVTKTC1027YT | T.R, KTC1027Y | |
| Q702 | HVTKSA916YT | T.R, KSA916Y | |
| R524,614 | CRG1ANJ273H | RES, METAL OXIDE FILM 27 KOHM 1W | |
| R535,625 | CRG1ANJ681H | RES, METAL OXIDE FILM 680 OHM 1W | |
| R536,626 | CRG1ANJ471H | RES, METAL OXIDE FILM 470 OHM 1W | |
| R538,539,628,629 | CRF5EKR22 | RES, CEMENT 0.22 OHM 5 W | |
| R544,634 | CRG2ANJ4R7H | RES, METAL OXIDE FILM 4.7 OHM 2 W | |
| R567,568 | KRG1SANJ271RT | RES, METAL OXIDE FILM 270 OHM 1 W A-R630 | |
| | KRG1SANJ391RT | RES, METAL OXIDE FILM 390 OHM 1 W A-R650 | |
| R607,713 | CRG2SANJ100RT | RES, METAL OXIDE FILM 10 OHM 1 W | |
| R617,635 | CRG2SANJ100RT | RES, METAL OXIDE FILM 10 OHM 2 W | |
| R703,704,709,710 | CRQ1AJR47H | RES, FUSE 1AJR47H | |
| RL51 | HSL4A004ZU | RELAY, OSA-SS-212DM3 | |
| RL52 | CSL4A015ZU | RELAY, G5V-2-H1 DC12 | |
| RL61 | HSL4A004ZU | RELAY, OSA-SS-212DM3 | |
| VR51,61 | CVN12A471B03T | RES, SEMI FIXED 470 OHM B CURVE | |
| | CMY1A358YA | HEATSINK MAIN ASSY A-R630 | |
| | CMY1A358ZA | HEATSINK MAIN ASSY A-R650 | |
| | └CDD1A013YA | FAN ASSY | |
| | GDD1A013 | FAN | |
| | CDMCCM05045R18 | MOTOR | |
| | CGP3A016 | FRAME, FAN | |
| | CWZAV7742 | WIRE ASSY | |
| | CGP2A015 | COVER, HEATSINK | |
| | CMD2A665 | BRACKET | |
| | CMY1A358 | HEATSINK | |
| Q514,610 | ⚠ HVTKTD2058Y | T.R, BIAS KTD2058Y | |
| Q518,614 | ⚠ CVT2SC2837 | T.R, POWER 2SC2837 A-R630 | |
| | ⚠ HVT2SC3519A | T.R, POWER 2SC3519A A-R650 | |
| Q520,616 | ⚠ CVT2SA1186 | T.R, POWER 2SA1186 A-R630 | |
| | ⚠ HVT2SA1386A | T.R, POWER 2SA1386A A-R650 | |
| | CSN2-4R | SCREW | |
| | CTB3+8JR | SCREW | |
| | CTW3+12JR | SCREW | |

FRONT PCB

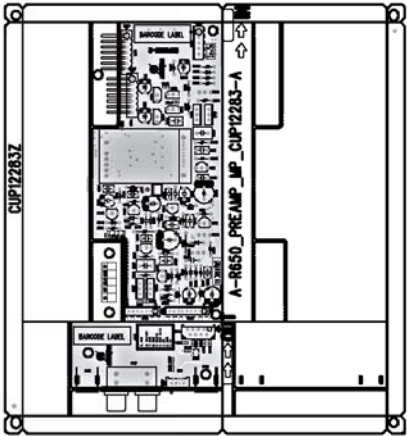
AMP POWER SUPPLY PCB

MIC PCB



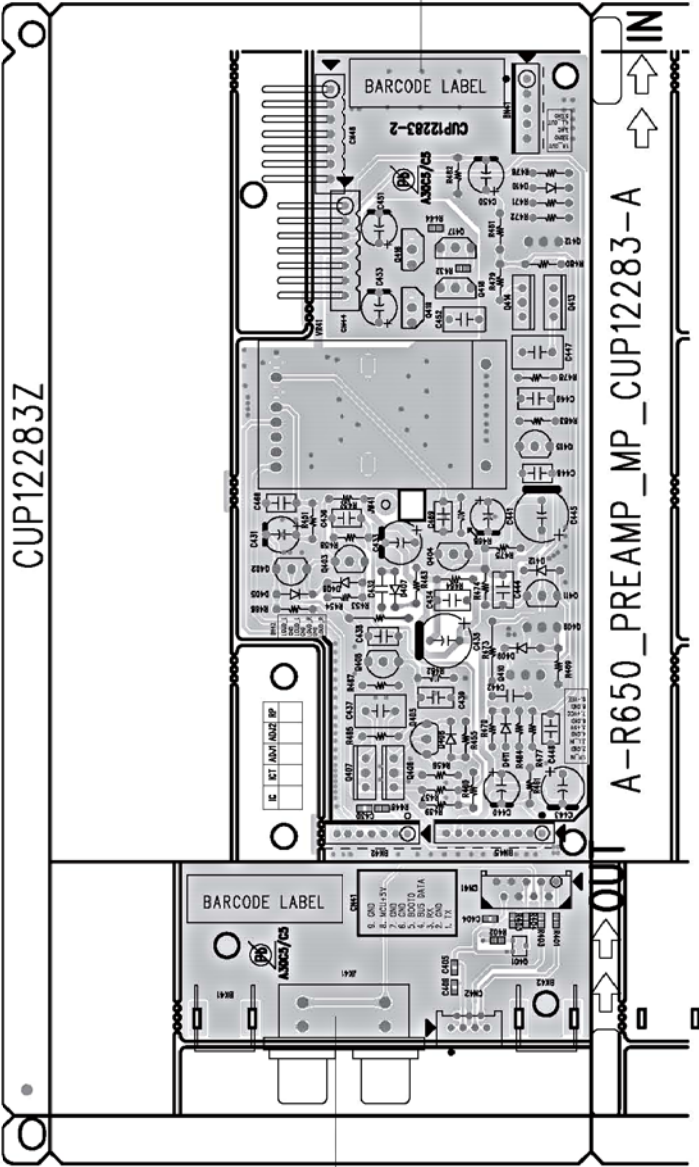
H/P PCB

FRONT PCB



PREAMP PCB

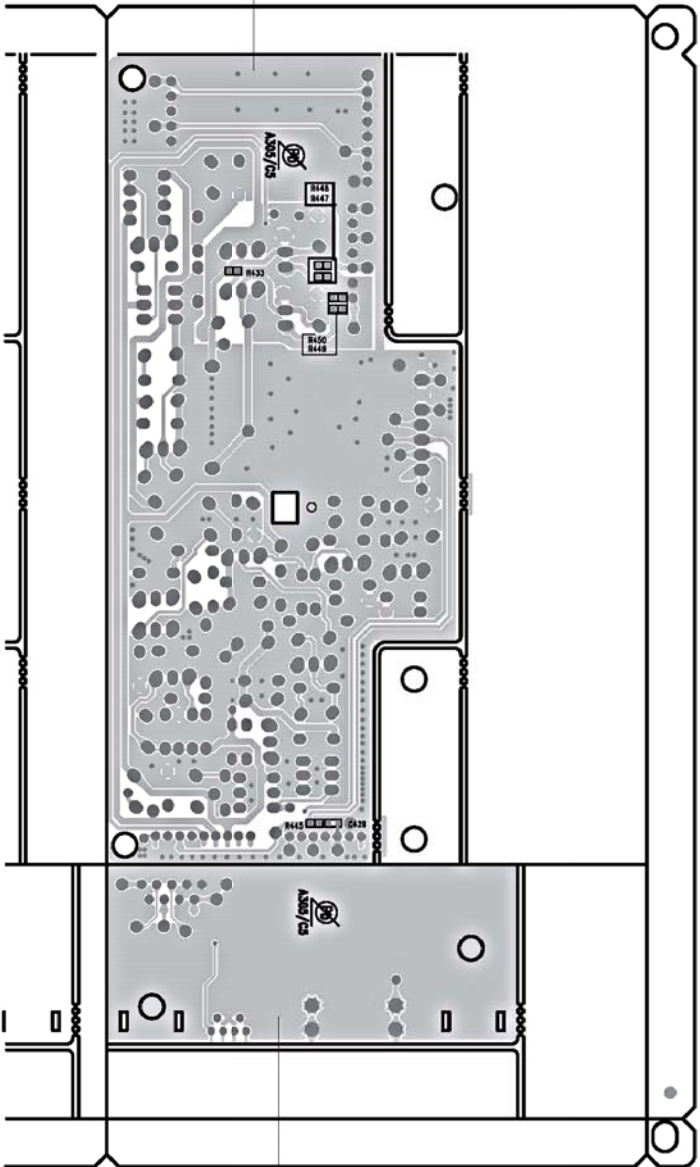
Side A



REMOTE PCB

PREAMP PCB

Side B



REMOTE PCB

A-R630 & A-R650

FRONT PCB ASSY

| REF. NO. | PARTS NO. | DESCRIPTION | REMARKS |
|--------------------------------------|--|--|---------------------------------------|
| | COP12281B COP12281C COP12346B └CUP12281X CUP12346Z | FRONT PCB ASSY A-R650 FRONT PCB ASSY A-R630 [EUR], [UK] FRONT PCB ASSY A-R630S [JPN] PCB, FRONT A-R650 (330X247, FR1/1) PCB, FRONT A-R630 (330X247, FR1/1) [JPN] └FRONT PCB | Size of OL91 mount holes only differs |
| | | SUB TRANS PCB AMP POWER SUPPLY PCB MIC PCB LOUDNESS PCB H/P PCB POWER SW PCB | |
| BN21 | CWB1BZ0722047 | WIRE ASSY 7 P 2.0 MM 220 MM FLAT | |
| BN22 | CWB1BZ1515047 | WIRE ASSY 15 P 2.0 MM 150 MM FLAT | |
| BN23 | CWB1C90728047001 | WIRE ASSY SHIELD 7 P 2.0 MM 280 MM | |
| BN24 | CWB1C90310047001 | WIRE ASSY SHIELD 3 P 2.0 MM 100 MM | |
| BN25 | CWB1C90535047001 | WIRE ASSY SHIELD 5 P 2.0 MM 350 MM | |
| BN71,72 | CWB1DZ0905058 | WIRE ASSY 9 P 2.5 MM 50 MM | |
| BN91 | CWB4D232450VZ | WIRE ASSY 2 P 3.96 MM 450 MM | |
| C215 | CCEA1AH221T | CAP, ELECT 220 UF/10 V | |
| C217 | CCEA0JH102T | CAP, ELECT 1000 UF/6.3 V | |
| C249,253,255,257 C269,272,279,280 | CCEA1EH101T | CAP, ELECT 100 UF/25 V | |
| C706,707 | CCET63VKL5682NK CCET75VPKPO103NK | CAP, ELECT 6800 UF/63 V A-R630 CAP, ELECT 10000 UF/75 V A-R650 | |
| C903 | KCKDKS472ME | CAP, CERAMIC 0.0047 UF/2.5 KV | |
| C909 | CCEA1EH102E | CAP, ELECT 1000 UF/25 V | |
| CN21 | CJP09GA115ZY | WAFER, CARD CABLE 9 P | |
| CN22,23 | CJP07HA37ZM | WAFER, 7 P | |
| CN24 | CJP03GI236ZW | WAFER, 3 P LOCKING TYPE STRAIGHT 2 MM | |
| CN25,96 | CJP07GI236ZW | WAFER, 7 P LOCKING TYPE STRAIGHT 2 MM | |
| CN71 | CJP03GA90ZY | WAFER, 3 P | |
| CN91,93 | CJP02KA060ZY | WAFER, 2 P | |
| CN92 | CJP02GA89ZM | WAFER, 2 P | |
| D201,203,216~220 D909,910 | CVD1SS133MT | DIODE, SWITCHING 1SS133 | |
| D204 | HVD342VCTB7T089 | L.E.D, RED SLR342VCTB7T089 | |
| D205~211,221 | HVD342YCTB7T089 | L.E.D, YELLOW SLR-342YCTB7 | |
| D212,213 | HVDSL325MCA47 | L.E.D, GREEN SLR-325MCT31 | |
| D214,215 | CVDZJ5.6BT | DIODE, ZENER ZJ5.6B 1/2 W 5.6V | |
| D701 | CVDGBJ1006BIA └HVDGBJ1006 CMY2A138 | DIODE HEATSINK ASSY (CMY2A138) A-R630 DIODE, BRIDGE GBJ-1006-BP 10 A/600 V HEATSINK | |
| | CTB3+12JR CVDGBJ1506BGA └HVDGBJ1506 CMY2A138 CTB3+12JR | SCREW DIODE HEATSINK ASSY (CMY4A138) A-R650 DIODE, BRIDGE. GBJ-1506 15 A/600 V HEATSINK SCREW | |
| D901~906 | CVD1N4003SRT | DIODE, RECT 1N4003SRT | |
| D907 | CVD11EQS10GT | DIODE, SCHOTTKY 11EQS10 (1 A/100 V) | |
| D908 | CVD1N4003ST | DIODE, RECT 1N4003ST | |
| ET51 | CMC1A111 | PLATE, EARTH | |
| F901 | KJCF5S └KBA2C3150TLEY └KBA2C4000TLEZ └KBA2C5000TLEY | HOLDER, FUSE FUSE, T 3.15 A L 250 V A-R630 [EUR], [UK] FUSE, T 4 A L 250 V A-R650 FUSE, T 5 A L 250 V A-R630S [JPN] | |

A-R630 & A-R650

FRONT PCB ASSY

| REF. NO. | PARTS NO. | DESCRIPTION | REMARKS |
|------------------|-------------------|--|---------|
| F902 | ⚠ KBA2D2500TLET | FUSE, T 2.5 A L 250V | |
| GD71 | HJT1A025 | PALTE, EARTH | |
| IC21 | CVIANAM1521A | I.C, U-COM ASSY A-R650 PROGRAMMED | |
| | └CVISTM32F101R8T6 | I.C, FLASH MCU CVISTM32F101R8T6 | |
| IC22 | CRVKSM603TE5B | SENSOR, REMOTE | |
| IC23 | BVIBA33BC0FP | I,C, REGULATOR BA33BC0FP 3.3 V | |
| IC24 | HVICD4066BM96 | I.C, SWITCH CD4066BM96 | |
| IC25 | CVIML61C183PR | I.C, RESET ML61C183PRG 1.8 V | |
| IC26~28 | HVINJM4556AL | I.C, HEADPHONE NJM4556AL | |
| IC91 | CVINJU7223F50 | I.C, REGULATOR NJU7223F50 5V | |
| JK21,22 | CJJ2E026Z | JACK, HEADPHONE (SILVER PLATE) | |
| JW21,22 | CWE8202180AR | RING WIRE 1 P 180mm #18 | |
| JW23 | CWE8202060AR | WIRE ASSY | |
| OL91 | ⚠ CJJ7A015Z | JACK, AC OUTLET (120V, 2P) A-R630S [JPN] | |
| | ⚠ CJJ7A021Z | JACK, AC OUTLET [EUR], [UK] | |
| Q201~203,210,221 | HVTKRA102MT | T.R, KRA102M | |
| Q902 | | | |
| Q204,208,209 | HVTKRC107MT | T.R, KRC107M | |
| Q205,206,223,224 | HVTKTC3198YT | T.R, KTC3198Y | |
| Q207,220 | HVTKRA107MT | T.R, KRA107M | |
| Q211~219,222,225 | HVTKRC107MT | T.R, KRC107M | |
| Q901 | | | |
| R701 | CRD50FJ123T | RES, CARBON | |
| R702 | CRD50FJ123T | RES, CARBON | |
| RL91 | ⚠ CSL1E002ZE | RELAY, POWER G5PA-1 (DC 6V) | |
| S201~204 | CST1A012ZT | SW, TACT SKHV10910G | |
| SW21 | CSR2A034Z | VR, ENCODER 2A034Z | |
| SW22,23 | KSH2B003Z | SW, PUSH 2B003Z VERTICAL | |
| SW24 | HSH2B017Z | SW, PUSH 2B017Z | |
| SW91 | ⚠ KSH1A001ZV | SW, PUSH POWER (MOMS) | |
| T901 | ⚠ CLT5I009ZE | TRANS, SUB CD6002/N [EUR], [UK] | |
| | ⚠ CLT5I009ZJ | TRANS, SUB CD6002/F A-R630S [JPN] | |
| VR22 | CVV2X04B503Z | RES, VARIABLE TONE | |
| VR23 | CVV1U01W104Y | RES, VARIABLE | |
| VR24 | CVV2X04B503Z | RES, VARIABLE TONE | |
| VR25 | CVV1U01B503Y | RES, VARIABLE | |
| X201 | HOX08000E160C | CRYSTAL 8 MHz | |

PREAMP PCB ASSY

| REF. NO. | PARTS NO. | DESCRIPTION | REMARKS |
|------------------|------------------|------------------------------------|---------|
| | COP12283B | PREAMP PCB ASSY A-R650 | |
| | COP12283C | PREAMP PCB ASSY A-R630 [EUR], [UK] | |
| | COP12283D | PREAMP PCB ASSY A-R630S [JPN] | |
| | └CUP12283Z | PCB, IPOD A-R650 (253X160, FR4/2) | |
| BN41 | CWB1C90512058002 | WIRE ASSY 5 P SHIELD 2.0 MM 120 MM | |
| BN42 | CWB1C90710047001 | WIRE ASSY 7 P SHIELD 2.0 MM 100 MM | |
| BN45 | CWB1C90920047001 | WIRE ASSY 9 P SHIELD 2.0 MM 350 MM | |
| C433,435,443,445 | CCEA1VH221T | CAP, ELECT 220 UF/35 V | |
| CN41 | CJP09GA115ZY | WAFER, CARD CABLE 9 P | |
| CN42 | CJP07GB113ZY | WAFER, CARD CABLE 7 P | |
| CN44,46 | CJP07GF230ZB | PIN HEADER, 7P ANGLE L=20.5 | |
| D405~412 | CVD1SS133MT | DIODE, SWITCHING 1SS133MT | |
| JK41 | CJJ4N023Z | JACK, REMOTE (2P) | |
| JW41 | CWE8202140AR | WIRE ASSY 1P 140 MM | |

A-R630 & A-R650

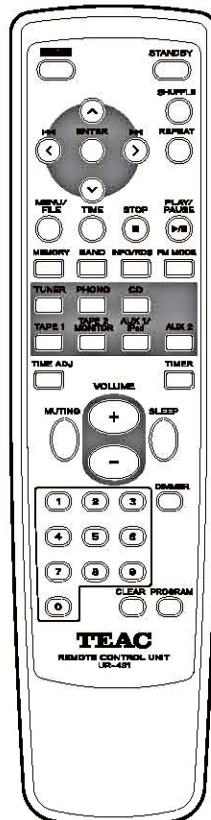
PREAMP PCB ASSY

| REF. NO. | PARTS NO. | DESCRIPTION | REMARKS |
|------------------|---------------|----------------|---------|
| Q401 | HVTKRA102S | T.R, KRA102S | |
| Q402,403,409,410 | HVTKTA1268GRT | T.R, KTA1268GR | |
| Q404,411 | HVTKTC3200GRT | T.R, KTC3200GR | |
| Q405,412 | HVTKTA1266YT | T.R, TKA1266YT | |
| Q406,413 | HVT2SC2911S | T.R, 2SC2911S | |
| Q407,414 | HVT2SA1209S | T.R, 2SA1209S | |
| Q408,415 | HVTKTC3198YT | T.R, KTC3198Y | |
| Q416,419 | CVTKTC3204YT | T.R, KTC3204Y | |
| Q417,418 | CVTKTA1272YT | T.R, KTA1272Y | |
| VR41 | CVV9Y14A503Z | VOLUME, MOTOR | |

5. INCLUDED ACCESSORIES

| REF. NO. | PARTS NO. | DESCRIPTION | REMARKS |
|----------|------------|--|-------------|
| | CQX1A1523Z | OWNER'S MANUAL (EFGSIN) A-R650 [EUR], [UK] | |
| | CQX1A1569Z | OWNER'S MANUAL (EFGSIN) A-R630 [EUR], [UK] | |
| | CQX1A1570Z | OWNER'S MANUAL (J) A-R630S [JPN] | |
| | CJA2B054Z | CORD, POWER NON CAPTIVE 2 WIRE [EUR] | A-R650 only |
| | CJA2E077Z | CORD, POWER NON CAPTIVE 10A/125V [UK] | A-R650 only |
| | CABR03PPB | BATTERY, AAA 2PCS IN PACK | |
| | CARTAR650 | REMOTE CONTROL UNIT UR-431 | |

REMOTE CONTROL UNIT UR-431



TEAC

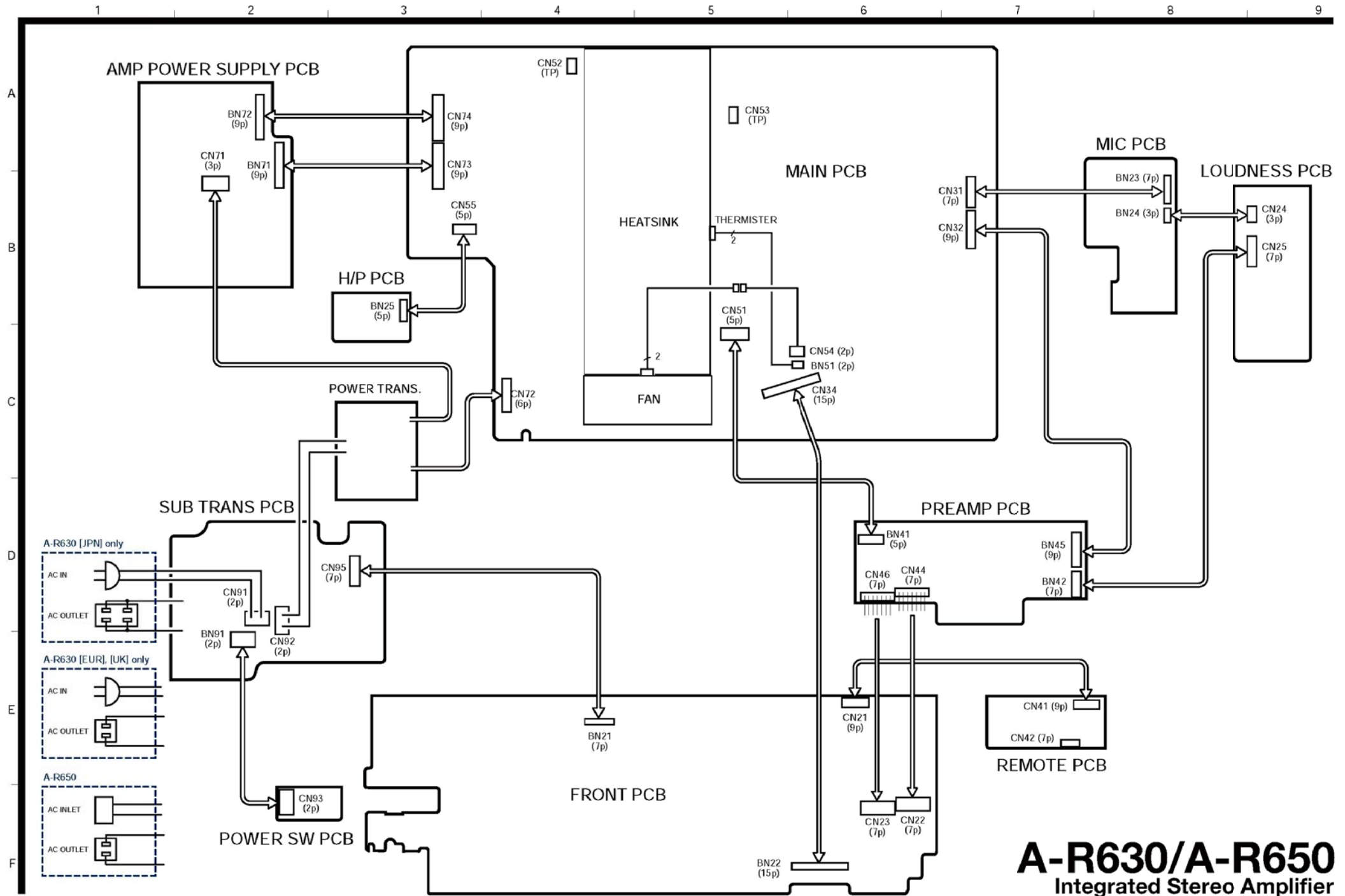
SCHEMATIC DIAGRAMS

CONTENTS

| | |
|------------------------------|---|
| WIRING DIAGRAM..... | 2 |
| BLOCK DIAGRAM | 3 |
| MAIN PCB | 4 |
| FRONT PCB & Others..... | 5 |
| PREAMP PCB, REMOTE PCB | 6 |

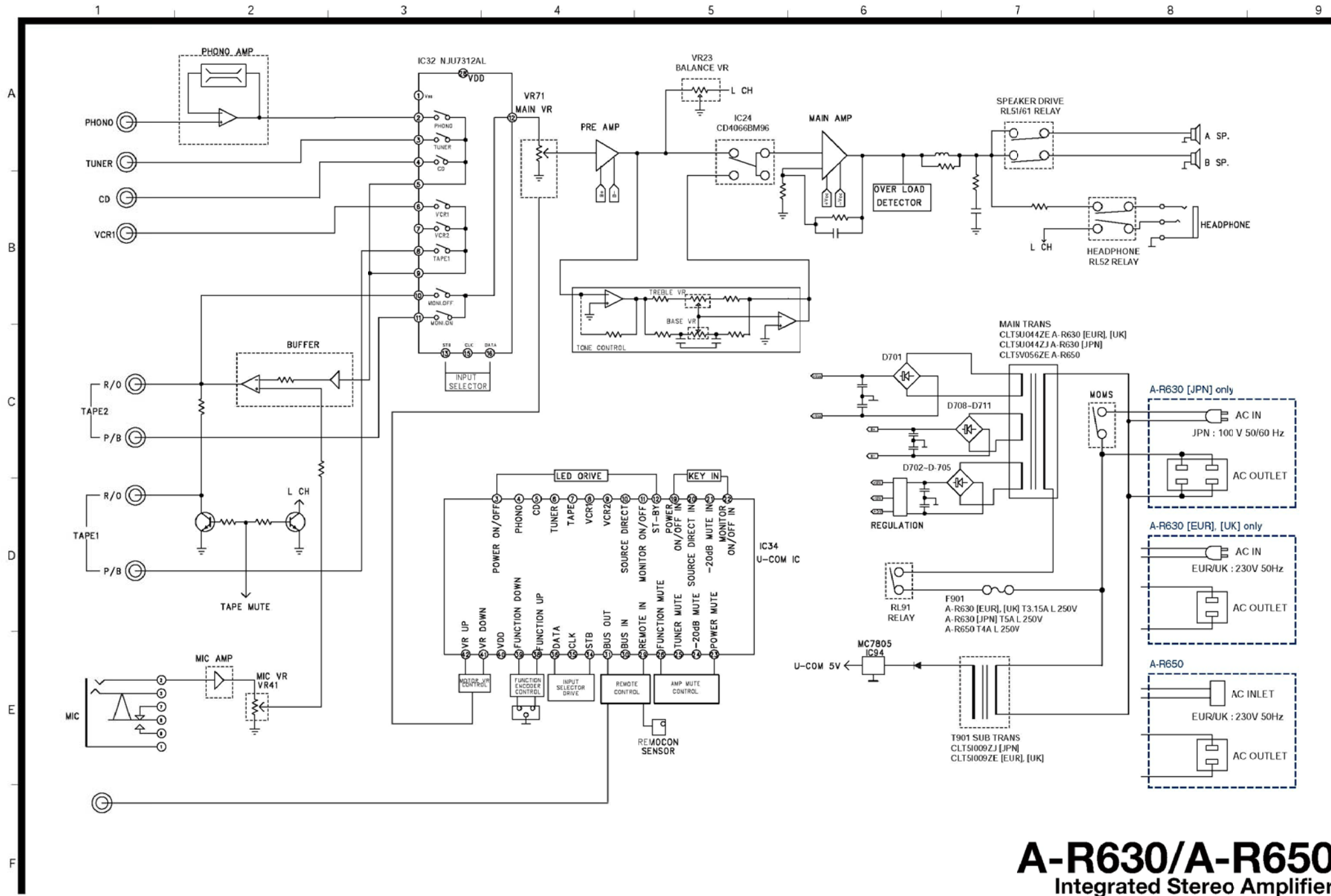
A-R630/A-R650
Integrated Stereo Amplifier

TEAC WIRING DIAGRAM A-R630/A-R650

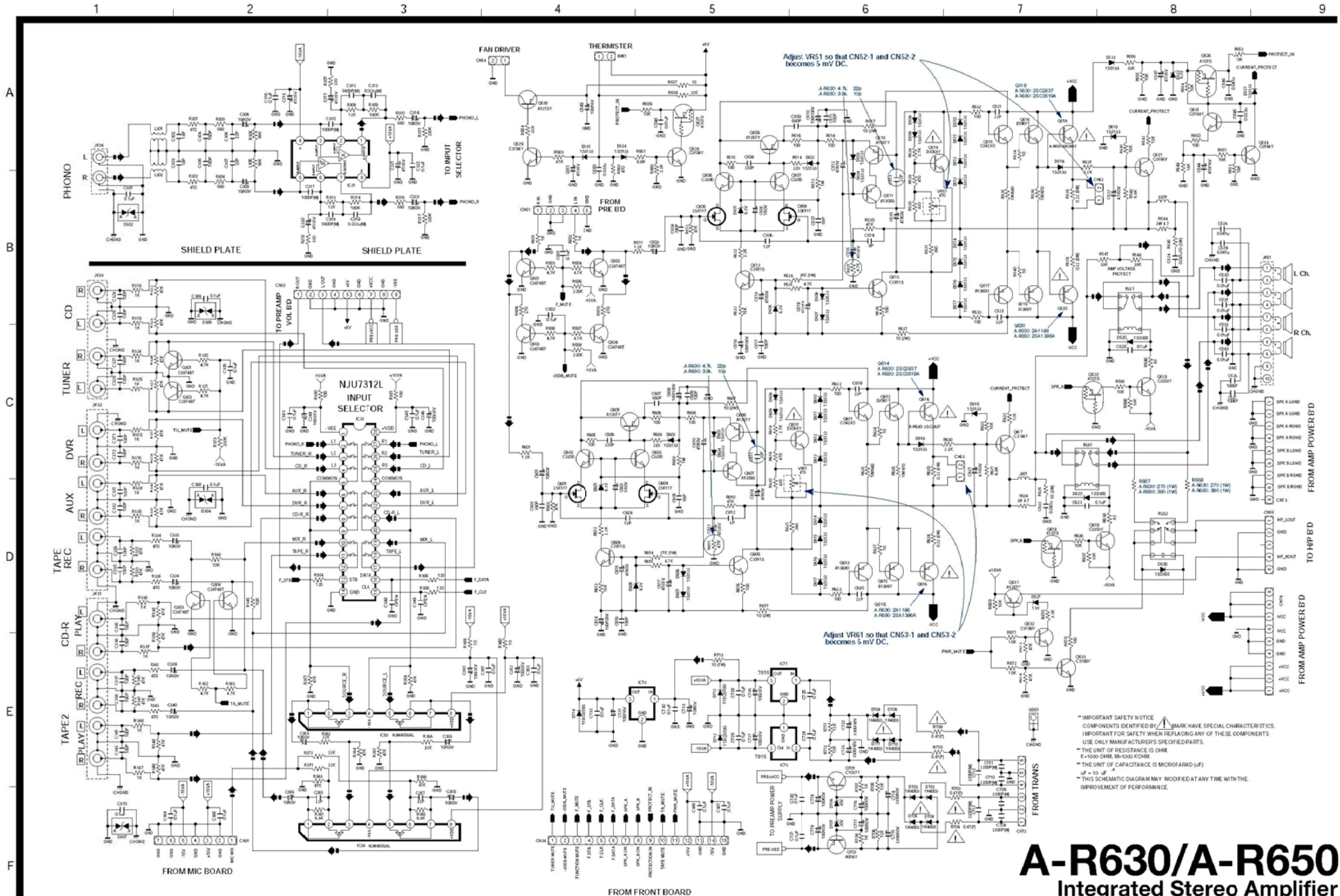


A-R630/A-R650 Integrated Stereo Amplifier

TEAC BLOCK DIAGRAM A-R630/A-R650



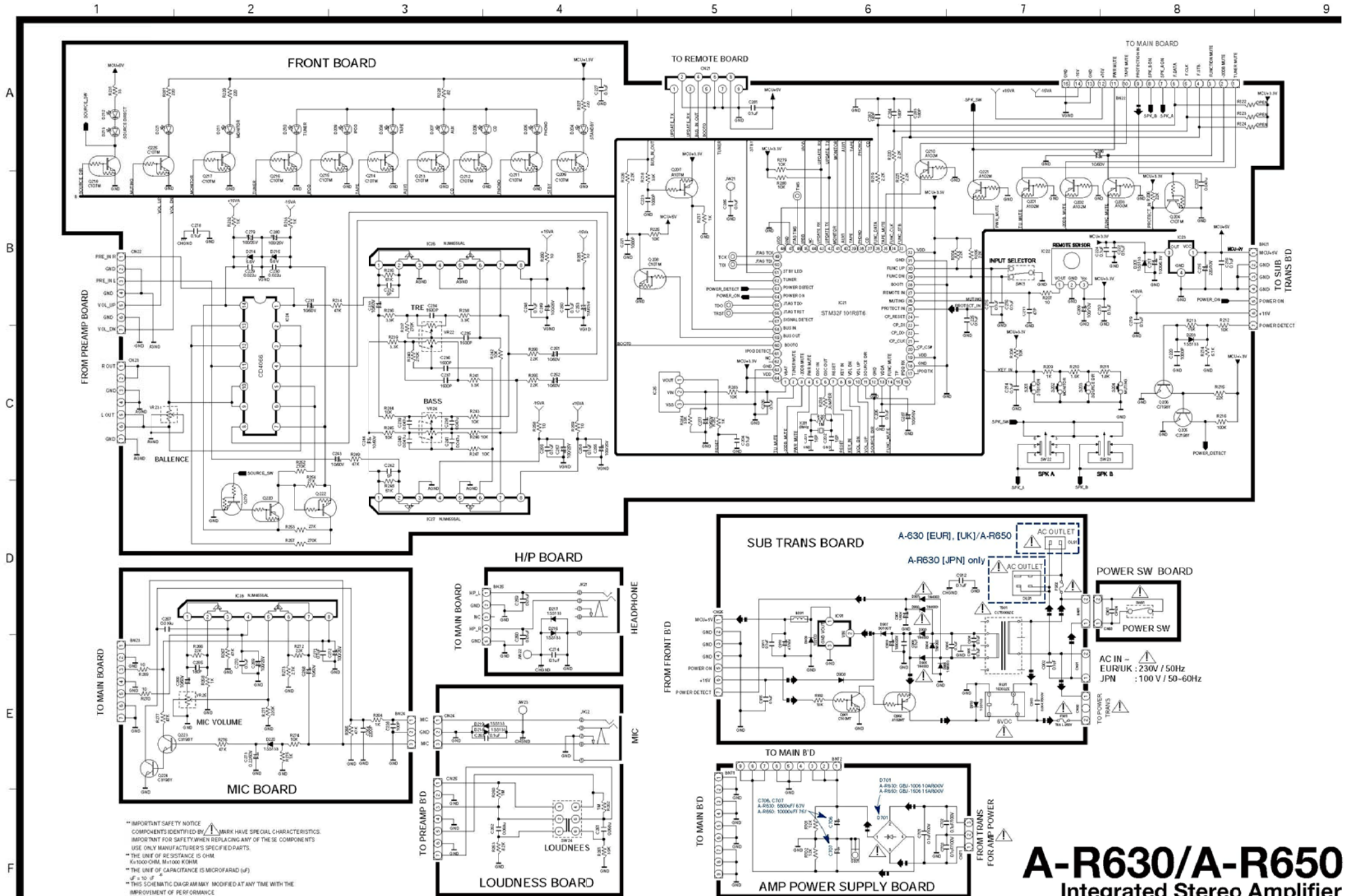
A-R630/A-R650 Integrated Stereo Amplifier



IMPORTANT SAFETY NOTICE
 COMPONENTS IDENTIFIED BY MARK HAVE SPECIAL CHARACTERISTICS.
 IMPORTANT FOR SAFETY WHEN REPLACING ANY OF THESE COMPONENTS
 USE ONLY MANUFACTURER'S SPECIFIED PARTS.
 ** THE UNIT OF RESISTANCE IS OHM.
 K=1000 OHM, M=1000 KOHM.
 ** THE UNIT OF CAPACITANCE IS MICROFARAD (uF)
 uF = 10⁻⁶ F
 ** THIS SCHEMATIC DIAGRAM MAY BE MODIFIED AT ANY TIME WITH THE
 IMPROVEMENT OF PERFORMANCE.

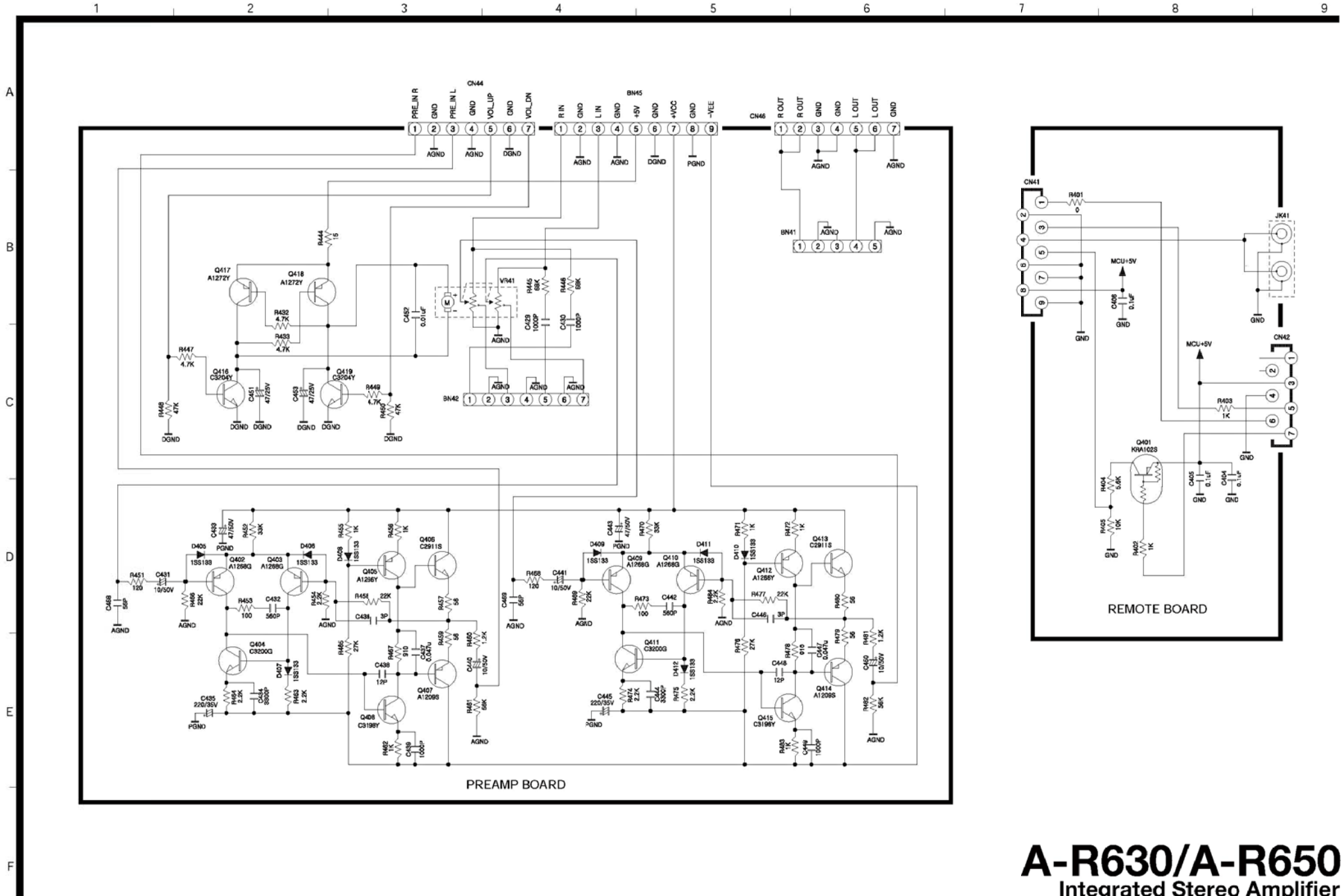
A-R630/A-R650

Integrated Stereo Amplifier



***IMPORTANT SAFETY NOTICE
COMPONENTS IDENTIFIED BY MARK HAVE SPECIAL CHARACTERISTICS
IMPORTANT FOR SAFETY WHEN REPLACING ANY OF THESE COMPONENTS
USE ONLY MANUFACTURER'S SPECIFIED PARTS
- THE UNIT OF RESISTANCE IS OHM
K=1000 OHM, M=10000 K OHM
- THE UNIT OF CAPACITANCE IS MICROFARAD (μF)
μF = 10⁻⁶ F
- THIS SCHEMATIC DIAGRAM MAY BE MODIFIED AT ANY TIME WITH THE
IMPROVEMENT OF PERFORMANCE

A-R630/A-R650
Integrated Stereo Amplifier



A-R630/A-R650
Integrated Stereo Amplifier

| LEVEL | PART No. | DESCRIPTION | REF. No. | QTY | UNIT | REMARKS | |
|-------|--------------|----------------------------------|----------------------|------|------|----------------|-----------------|
| 1 | A-R650JKSET | SET STEREO AMPLIFIER | | 1 | EA | | |
| 2 | C8WAR650UK | FRONT ASSY | | 1 | EA | | |
| 3 | CBC1A085 | KNOB, LOUDNESS | | 1 | EA | A-R600EUR | |
| 4 | CBC1A114 | KNOB, SPEAKER | | 2 | EA | A-R600EUR | |
| 5 | CBC1A115 | KNOB, LOUDNESS (PUSH) | | 1 | EA | A-R600EUR | |
| 6 | CBN1A079YK66 | KNOB, ROTARY | | 1 | EA | | |
| 7 | CBN2A052Y | KNOB ROTARY | | 3 | EA | | |
| 8 | CBT1A603 | KNOB, TACT | | 2 | EA | A-R600EUR | |
| 9 | CBT1A604 | KNOB, POWER | | 1 | EA | A-R600EUR | |
| 10 | CBT1A605 | KNOB, DIRECT | | 1 | EA | A-R600EUR | |
| 11 | CGB1A165H8 | BADGE, TEAC | | 1 | EA | | |
| 12 | CGL1A109 | INDICATOR, FUNCTION | | 3 | EA | A-R600EUR | |
| 13 | CGL1A162 | INDICATOR, FUNCTION | | 2 | EA | A-R600EUR | |
| 14 | CGR2A154 | ORNAMENT, REMOTE | | 1 | EA | A-R600EUR | |
| 15 | CGW4A245WB38 | PANEL, FRONT | | 1 | EA | | |
| 16 | CMD1A355 | BRACKET, TOP | | 2 | EA | ALL MODEL | |
| 17 | CMD1A363 | BRACKET, POWER | | 1 | EA | A-R600 | |
| 18 | CMK1A019 | BRACKET, VOLUME | | 1 | EA | A-R600AG-D9320 | |
| 19 | CNW1A036 | WASHER | | 2 | EA | A-R600 | |
| 20 | CNW1A037 | WASHER | | 3 | EA | | |
| 21 | CTB3+10JR | SCREW | | 2 | EA | | |
| 22 | CTB3+6JR | SCREW | | 29 | EA | 00M51260308M0 | |
| 23 | CTW93+10GR | SCREW | | 1 | EA | | |
| 24 | CUS1A084 | SPRINGS, FORMING | | 1 | EA | A-H500&A-R600 | |
| 25 | C8A9311 | GREASE | | 2 | G | | |
| 26 | KGX1A216VA | VOLUME CAP ASSY (A) | | 1 | EA | | |
| 27 | KGX1A216YA | VOLUME CAP ASSY (A) | | 1 | EA | | |
| 28 | KGX1A219C68 | HOUSING,VOLUME | | 1 | EA | | |
| 29 | KGX2A219C58 | HOUSING,VOLUME | | 1 | EA | | |
| 30 | CKC3A085B25 | CABINET, TOP | | 1 | EA | | |
| 31 | CRE1A037 | LOCKER | SH08M790BO | 8 | EA | SH08M790BO | |
| 32 | CTB3+6JFZR | SCREW | | 6 | EA | | |
| 33 | CTB4+6FFZR | SCREW | | 6 | EA | | |
| 34 | CUAAR650UK | BOTTOM ASSY | | 1 | EA | | |
| 35 | CHD1A023R | SCREW, SPECIAL | | 4 | EA | | |
| 36 | CHE170 | HOLDER, PCB | | 5 | EA | ALL MODEL | |
| 37 | CHG1A104 | CUSHION, EVA | H=9.5(15X20) | 1 | EA | H=9.5(15X20) | |
| 38 | CHG1A113 | RUBBER | | 4 | EA | ALL MODEL | |
| 39 | CHG1A360 | CUSHION, FOOT | | 2 | EA | | |
| 40 | CHR301 | CLAMPER | | 7 | EA | | |
| 41 | CHS1A032 | TAPE, HEMELON | | 9 | EA | | |
| 42 | CKF1A424Z | PANEL, REAR | | 1 | EA | | |
| 43 | CKL1A012 | FOOT, RUBBER (BLACK) | | 2 | EA | TD-3000 | |
| 44 | CKL2A042H11 | FOOT, FRONT | | 2 | EA | MODEL | |
| 45 | CLT5V056ZE | MAIN TRANS (A-R650EUR) | | 1 | EA | | |
| 46 | CLZ9W003Z | FERRITE, RING | 29X7.7X19 | 1 | EA | 29X7.7X19 | |
| 47 | CLZ9Z071Z | FERRITE, CORE | | 1 | EA | | |
| 48 | CMD1A490 | BRACKET, HEAT-SINK | | 1 | EA | SR5400/6400 | |
| 49 | COP12281B | A-R650 FRONT PCB ASS'Y | | 1 | EA | | |
| 50 | CIP12281B | A-R650 FRONT PCB AUTO ASS'Y | | 1 | EA | | |
| 51 | CUP12281X | PCB FRONT A-R650 (330X247.FR1/1) | | 1 | EA | | |
| 52 | CCBS1H150JCT | CAP. CERAMIC (15 PF/50V) | CH UP025CH150J-A-B Z | C201 | 1 | EA | CH UP025CH150J- |
| 53 | CCBS1H150JCT | CAP. CERAMIC (15 PF/50V) | CH UP025CH150J-A-B Z | C202 | 1 | EA | CH UP025CH150J- |
| 54 | CCBS1H104ZFT | CAP. CERAMIC | 0.1UF 50V Z | C204 | 1 | EA | CH UP050 F104Z- |
| 55 | CCBS1H104ZFT | CAP. CERAMIC | 0.1UF 50V Z | C205 | 1 | EA | CH UP050 F104Z- |
| 56 | CCBS1H473ZFT | CAP. CERAMIC (47000 PF/50V) | CH UP025 F473Z-A-B J | C207 | 1 | EA | CH UP050 F473Z- |
| 57 | CCEA1AH101T | CAP. ELECT | 1000UF 10V | C209 | 1 | EA | 10V 1000UF 5*11 |
| 58 | CCBS1H104ZFT | CAP. CERAMIC | 0.1UF 50V Z | C210 | 1 | EA | CH UP050 F104Z- |
| 59 | CCBS1H470JT | CAP. CERAMIC (47 PF/50V) | CH UP025SL470J-A-B Z | C211 | 1 | EA | CH UP025SL470J- |
| 60 | CCBS1H104ZFT | CAP. CERAMIC | 0.1UF 50V Z | C214 | 1 | EA | CH UP050 F104Z- |
| 61 | CCEA1AH221T | CAP. ELECT | 220UF 10V | C215 | 1 | EA | 220UF/10V |
| 62 | CCBS1H104ZFT | CAP. CERAMIC | 0.1UF 50V Z | C216 | 1 | EA | CH UP050 F104Z- |
| 63 | CCEAQJH102T | CAP. ELECT (1000uF/6.3V) | 1000UF 6.3V | C217 | 1 | EA | |
| 64 | CCBS1H102KBT | CAP. CERAMIC (1000 PF/50V) | CH UP025 B102K-A-B Z | C220 | 1 | EA | CH UP025 B102K- |
| 65 | CCBS1H102KBT | CAP. CERAMIC (1000 PF/50V) | CH UP025 B102K-A-B Z | C221 | 1 | EA | CH UP025 B102K- |
| 66 | CCBS1H104ZFT | CAP. CERAMIC | 0.1UF 50V Z | C222 | 1 | EA | CH UP050 F104Z- |
| 67 | CCBS1H102KBT | CAP. CERAMIC (1000 PF/50V) | CH UP025 B102K-A-B Z | C223 | 1 | EA | CH UP025 B102K- |
| 68 | CCBS1H104ZFT | CAP. CERAMIC | 0.1UF 50V Z | C224 | 1 | EA | CH UP050 F104Z- |
| 69 | CCBS1H104ZFT | CAP. CERAMIC | 0.1UF 50V Z | C225 | 1 | EA | CH UP050 F104Z- |
| 70 | CCBS1H104ZFT | CAP. CERAMIC | 0.1UF 50V Z | C226 | 1 | EA | CH UP050 F104Z- |
| 71 | CCBS1H104ZFT | CAP. CERAMIC | 0.1UF 50V Z | C227 | 1 | EA | CH UP050 F104Z- |
| 72 | CCBS1H101KBT | CAP. CERAMIC (100 PF/50V) | CH UP025 B101K-A-B Z | C228 | 1 | EA | CH UP025 B101K- |
| 73 | CCBS1H223ZFT | CAP. CERAMIC (22000 PF/50V) | CH UP025 F223Z-A-B J | C229 | 1 | EA | CH UP050 F223Z- |
| 74 | CCBS1H223ZFT | CAP. CERAMIC (22000 PF/50V) | CH UP025 F223Z-A-B J | C230 | 1 | EA | CH UP050 F223Z- |
| 75 | CCEA1HH100T | CAP. ELECT | 100UF 50V | C231 | 1 | EA | 00107-1045 |
| 76 | CCCT1H050CC | CAP. CERAMIC | 5 PF 50V C | C232 | 1 | EA | 5PF 50V C |
| 77 | CCEA1HH100T | CAP. ELECT | 100UF 50V | C233 | 1 | EA | 00107-1045 |
| 78 | HCQ1H152JZT | CAP. MYLAR | 1500 PF 50V J | C234 | 1 | EA | HPE152J2AP050T |
| 79 | HCQ1H152JZT | CAP. MYLAR | 1500 PF 50V J | C235 | 1 | EA | HPE152J2AP050T |
| 80 | HCQ1H152JZT | CAP. MYLAR | 1500 PF 50V J | C236 | 1 | EA | HPE152J2AP050T |
| 81 | HCQ1H152JZT | CAP. MYLAR | 1500 PF 50V J | C237 | 1 | EA | HPE152J2AP050T |
| 82 | HCQ1H473JZT | CAP. MYLAR | 0.047UF 50V J | C238 | 1 | EA | HPE473J2AP050T |
| 83 | HCQ1H473JZT | CAP. MYLAR | 0.047UF 50V J | C239 | 1 | EA | HPE473J2AP050T |
| 84 | HCQ1H473JZT | CAP. MYLAR | 0.047UF 50V J | C240 | 1 | EA | HPE473J2AP050T |
| 85 | HCQ1H473JZT | CAP. MYLAR | 0.047UF 50V J | C241 | 1 | EA | HPE473J2AP050T |
| 86 | CCCT1H050CC | CAP. CERAMIC | 5 PF 50V C | C242 | 1 | EA | 5PF 50V C |
| 87 | CCEA1HH100T | CAP. ELECT | 10UF 50V | C243 | 1 | EA | 00107-1045 |
| 88 | CCEA1HH100T | CAP. ELECT | 10UF 50V | C244 | 1 | EA | 00107-1045 |
| 89 | CCBS1H104ZFT | CAP. CERAMIC | 0.1UF 50V Z | C248 | 1 | EA | CH UP050 F104Z- |
| 90 | CCEA1EH101T | CAP. ELECT | 100UF 25V | C249 | 1 | EA | |
| 91 | CCBS1H104ZFT | CAP. CERAMIC | 0.1UF 50V Z | C250 | 1 | EA | CH UP050 F104Z- |
| 92 | CCEA1HH100T | CAP. ELECT | 10UF 50V | C251 | 1 | EA | 00107-1045 |
| 93 | CCEA1HH100T | CAP. ELECT | 10UF 50V | C252 | 1 | EA | 00107-1045 |
| 94 | CCEA1EH101T | CAP. ELECT | 100UF 25V | C253 | 1 | EA | |
| 95 | CCEA1EH101T | CAP. ELECT | 100UF 25V | C255 | 1 | EA | |
| 96 | CCBS1H104ZFT | CAP. CERAMIC | 0.1UF 50V Z | C256 | 1 | EA | CH UP050 F104Z- |
| 97 | CCEA1EH101T | CAP. ELECT | 100UF 25V | C257 | 1 | EA | |
| 98 | CCBS1H104ZFT | CAP. CERAMIC | 0.1UF 50V Z | C258 | 1 | EA | CH UP050 F104Z- |
| 99 | HCQ1H103JZT | CAP. MYLAR | 0.01UF 50V J | C259 | 1 | EA | HPE103J2AP050T |
| 100 | HCQ1H103JZT | CAP. MYLAR | 0.01UF 50V J | C260 | 1 | EA | HPE103J2AP050T |
| 101 | HCQ1H683JZT | CAP. MYLAR | 0.068UF 50V J | C261 | 1 | EA | HPE683J2AP050T |
| 102 | HCQ1H683JZT | CAP. MYLAR | 0.068UF 50V J | C262 | 1 | EA | HPE683J2AP050T |
| 103 | CCBS1H104ZFT | CAP. CERAMIC | 0.1UF 50V Z | C263 | 1 | EA | CH UP050 F104Z- |
| 104 | CCBS1C222MXT | CAP. CERAMIC (2200 PF/16V) | CH EP025 B222M-A-B J | C264 | 1 | EA | CH EP025 B222M- |
| 105 | CCBS1H181KBT | CAP. CERAMIC (180 PF/50V) | CH UP025 B181K-A-B Z | C265 | 1 | EA | CH UP025 B181K- |
| 106 | CCEA1HH100T | CAP. ELECT | 10UF 50V | C266 | 1 | EA | 00107-1045 |
| 107 | HCQ1H1393JZT | CAP. MYLAR | 0.039UF 50V J | C267 | 1 | EA | HPE393J2AP050T |
| 108 | CCEA1HH100T | CAP. ELECT | 10UF 50V | C268 | 1 | EA | 00107-1045 |
| 109 | CCEA1EH101T | CAP. ELECT | 100UF 25V | C269 | 1 | EA | |
| 110 | CCBS1H104ZFT | CAP. CERAMIC | 0.1UF 50V Z | C270 | 1 | EA | CH UP050 F104Z- |
| 111 | CCBS1H104ZFT | CAP. CERAMIC | 0.1UF 50V Z | C271 | 1 | EA | CH UP050 F104Z- |
| 112 | CCEA1EH101T | CAP. ELECT | 100UF 25V | C272 | 1 | EA | |
| 113 | CCEA1HHR22T | CAP. ELECT | 0.22UF 50V | C273 | 1 | EA | |
| 114 | CCBS1H104ZFT | CAP. CERAMIC | 0.1UF 50V Z | C274 | 1 | EA | CH UP050 F104Z- |
| 115 | CCBS1H104ZFT | CAP. CERAMIC | 0.1UF 50V Z | C275 | 1 | EA | CH UP050 F104Z- |

| | | | | | | | | |
|-----|-------|-----------------|----------------------------------|----------------------|------|---|----|-----------------|
| 116 |5 | CCBS1H104ZFT | CAP, CERAMIC | 0.1UF 50V Z | C276 | 1 | EA | CH UP050 F104Z- |
| 117 |5 | CCEA1HH100T | CAP, ELECT | 100UF 50V | C277 | 1 | EA | 00107-1045 |
| 118 |5 | CCBS1H104ZFT | CAP, CERAMIC | 0.1UF 50V Z | C278 | 1 | EA | CH UP050 F104Z- |
| 119 |5 | CCEA1EH101T | CAP, ELECT | 100UF 25V | C279 | 1 | EA | |
| 120 |5 | CCEA1EH101T | CAP, ELECT | 100UF 25V | C280 | 1 | EA | |
| 121 |5 | CCBS1H104ZFT | CAP, CERAMIC | 0.1UF 50V Z | C281 | 1 | EA | CH UP050 F104Z- |
| 122 |5 | CCBS1H181KBT | CAP, CERAMIC (180 PF/50V) | CH UP025 B181K-A-B Z | C282 | 1 | EA | CH UP025 B181K- |
| 123 |5 | CCBS1H181KBT | CAP, CERAMIC (180 PF/50V) | CH UP025 B181K-A-B Z | C283 | 1 | EA | CH UP025 B181K- |
| 124 |5 | CCBS1H181KBT | CAP, CERAMIC (180 PF/50V) | CH UP025 B181K-A-B Z | C284 | 1 | EA | CH UP025 B181K- |
| 125 |5 | CCBS1H104ZFT | CAP, CERAMIC | 0.1UF 50V Z | C285 | 1 | EA | CH UP050 F104Z- |
| 126 |5 | CCEA1HH100T | CAP, ELECT | 100UF 50V | C286 | 1 | EA | 00107-1045 |
| 127 |5 | CCEA1CH101T | CAP, ELECT | 100UF 16V | C287 | 1 | EA | 00107-1003 |
| 128 |5 | CCME2A104JXT | CAP, METALLIZED FILM | HMF5104J2AP050T | C701 | 1 | EA | HMFS104J2AP050T |
| 129 |5 | CCME2A104JXT | CAP, METALLIZED FILM | HMF5104J2AP050T | C702 | 1 | EA | HMFS104J2AP050T |
| 130 |5 | CCME2A104JXT | CAP, METALLIZED FILM | HMF5104J2AP050T | C703 | 1 | EA | HMFS104J2AP050T |
| 131 |5 | CCME2A104JXT | CAP, METALLIZED FILM | HMF5104J2AP050T | C904 | 1 | EA | HMFS104J2AP050T |
| 132 |5 | CCME2A104JXT | CAP, METALLIZED FILM | HMF5104J2AP050T | C905 | 1 | EA | HMFS104J2AP050T |
| 133 |5 | CCME2A104JXT | CAP, METALLIZED FILM | HMF5104J2AP050T | C906 | 1 | EA | HMFS104J2AP050T |
| 134 |5 | CCEA1HH1R0T | CAP, ELECT | 1UF 50V | C907 | 1 | EA | 00107-1015 |
| 135 |5 | CCBS1H104ZFT | CAP, CERAMIC | 0.1UF 50V Z | C908 | 1 | EA | CH UP050 F104Z- |
| 136 |5 | CCEA1CH470T | CAP, ELECT | 47UF 16V | C910 | 1 | EA | 00107-1007 |
| 137 |5 | CCBS1H104ZFT | CAP, CERAMIC | 0.1UF 50V Z | C911 | 1 | EA | CH UP050 F104Z- |
| 138 |5 | CCBS1H104ZFT | CAP, CERAMIC | 0.1UF 50V Z | C912 | 1 | EA | CH UP050 F104Z- |
| 139 |5 | CCBS1H104ZFT | CAP, CERAMIC | 0.1UF 50V Z | C915 | 1 | EA | CH UP050 F104Z- |
| 140 |5 | CVD1SS133MT | DIODE, SWITCHING | 1SS133 | D201 | 1 | EA | ISS133(T/B) |
| 141 |5 | CVD1SS133MT | DIODE, SWITCHING | 1SS133 | D203 | 1 | EA | ISS133(T/B) |
| 142 |5 | HVD342VCTB7T089 | L.E.D., RED | SLR342VCTB7T089 | D204 | 1 | EA | SLR342VCTB7T089 |
| 143 |5 | HVD342VCTB7T089 | L.E.D., YELLOW | SLR342VCTB7 | D205 | 1 | EA | SLR-342YCTB7 |
| 144 |5 | HVD342VCTB7T089 | L.E.D., YELLOW | SLR342VCTB7 | D206 | 1 | EA | SLR-342YCTB7 |
| 145 |5 | HVD342VCTB7T089 | L.E.D., YELLOW | SLR342VCTB7 | D207 | 1 | EA | SLR-342YCTB7 |
| 146 |5 | HVD342VCTB7T089 | L.E.D., YELLOW | SLR342VCTB7 | D208 | 1 | EA | SLR-342YCTB7 |
| 147 |5 | HVD342VCTB7T089 | L.E.D., YELLOW | SLR342VCTB7 | D209 | 1 | EA | SLR-342YCTB7 |
| 148 |5 | HVD342VCTB7T089 | L.E.D., YELLOW | SLR342VCTB7 | D210 | 1 | EA | SLR-342YCTB7 |
| 149 |5 | HVD342VCTB7T089 | L.E.D., YELLOW | SLR342VCTB7 | D211 | 1 | EA | SLR-342YCTB7 |
| 150 |5 | HVDSL325MCA47 | LED, GREEN | | D212 | 1 | EA | SLR-325MCT31 |
| 151 |5 | HVDSL325MCA47 | LED, GREEN | | D213 | 1 | EA | SLR-325MCT31 |
| 152 |5 | CVDZJ5 6BT | DIODE, ZENER 5.6V | ZJ5 6BT 1/2W | D214 | 1 | EA | ZJ5 6BT(26MM T/ |
| 153 |5 | CVDZJ5 6BT | DIODE, ZENER 5.6V | ZJ5 6BT 1/2W | D215 | 1 | EA | ZJ5 6BT(26MM T/ |
| 154 |5 | CVD1SS133MT | DIODE, SWITCHING | 1SS133 | D216 | 1 | EA | ISS133(T/B) |
| 155 |5 | CVD1SS133MT | DIODE, SWITCHING | 1SS133 | D217 | 1 | EA | ISS133(T/B) |
| 156 |5 | CVD1SS133MT | DIODE, SWITCHING | 1SS133 | D218 | 1 | EA | ISS133(T/B) |
| 157 |5 | CVD1SS133MT | DIODE, SWITCHING | 1SS133 | D219 | 1 | EA | ISS133(T/B) |
| 158 |5 | CVD1SS133MT | DIODE, SWITCHING | 1SS133 | D220 | 1 | EA | ISS133(T/B) |
| 159 |5 | HVD342VCTB7T089 | L.E.D., YELLOW | SLR342VCTB7 | D221 | 1 | EA | SLR-342YCTB7 |
| 160 |5 | CVD1N4003SRT | DIODE, RECT | 1N4003 | D901 | 1 | EA | 1N4003 SRT |
| 161 |5 | CVD1N4003SRT | DIODE, RECT | 1N4003 | D902 | 1 | EA | 1N4003 SRT |
| 162 |5 | CVD1N4003SRT | DIODE, RECT | 1N4003 | D903 | 1 | EA | 1N4003 SRT |
| 163 |5 | CVD1N4003SRT | DIODE, RECT | 1N4003 | D904 | 1 | EA | 1N4003 SRT |
| 164 |5 | CVD1N4003SRT | DIODE, RECT | 1N4003 | D905 | 1 | EA | 1N4003 SRT |
| 165 |5 | CVD1N4003SRT | DIODE, RECT | 1N4003 | D906 | 1 | EA | 1N4003 SRT |
| 166 |5 | CVD11EQS10GT | DIODE, SCHOTTKY (100V/1A) | | D907 | 1 | EA | 11EQS10 |
| 167 |5 | CVD1N4003ST | DIODE, RECT | 1N4003 | D908 | 1 | EA | 1N4003T/P |
| 168 |5 | CVD1SS133MT | DIODE, SWITCHING | 1SS133 | D909 | 1 | EA | ISS133(T/B) |
| 169 |5 | CVD1SS133MT | DIODE, SWITCHING | 1SS133 | D910 | 1 | EA | ISS133(T/B) |
| 170 |5 | KJOFCS | HOLDER, FUSE | | F901 | 1 | EA | ISS133(T/B) |
| 171 |5 | KBA2D2500TLET | FUSE (2.5A) | | F902 | 1 | EA | |
| 172 |5 | HJT1A025 | PALTE, EARTH | MET37-0002 | GD71 | 1 | EA | MET37-0002 |
| 173 |5 | HVKKRA102MT | T.R., TO-92M | KRA102M | Q201 | 1 | EA | KRA102M-A/T/P |
| 174 |5 | HVKKRA102MT | T.R., TO-92M | KRA102M | Q202 | 1 | EA | KRA102M-A/T/P |
| 175 |5 | HVKKRA102MT | T.R., TO-92M | KRA102M | Q203 | 1 | EA | KRA102M-A/T/P |
| 176 |5 | HVKKRC107MT | T.R., TO-92M | KRC107M | Q204 | 1 | EA | KRC107M-A/T/P |
| 177 |5 | HVKKTC3198YT | T.R. | KTC3198Y | Q205 | 1 | EA | KTC3198-Y-AT/PJ |
| 178 |5 | HVKKTC3198YT | T.R. | KTC3198Y | Q206 | 1 | EA | KTC3198-Y-AT/PJ |
| 179 |5 | HVKKRA107MT | T.R., TO-92M | KRA107M | Q207 | 1 | EA | KRA107M-A/T/P |
| 180 |5 | HVKKRC107MT | T.R., TO-92M | KRC107M | Q208 | 1 | EA | KRC107M-A/T/P |
| 181 |5 | HVKKRC107MT | T.R., TO-92M | KRC107M | Q209 | 1 | EA | KRC107M-A/T/P |
| 182 |5 | HVKKRA102MT | T.R., TO-92M | KRA102M | Q210 | 1 | EA | KRA102M-A/T/P |
| 183 |5 | HVKKRC107MT | T.R., TO-92M | KRC107M | Q211 | 1 | EA | KRC107M-A/T/P |
| 184 |5 | HVKKRC107MT | T.R., TO-92M | KRC107M | Q212 | 1 | EA | KRC107M-A/T/P |
| 185 |5 | HVKKRC107MT | T.R., TO-92M | KRC107M | Q213 | 1 | EA | KRC107M-A/T/P |
| 186 |5 | HVKKRC107MT | T.R., TO-92M | KRC107M | Q214 | 1 | EA | KRC107M-A/T/P |
| 187 |5 | HVKKRC107MT | T.R., TO-92M | KRC107M | Q215 | 1 | EA | KRC107M-A/T/P |
| 188 |5 | HVKKRC107MT | T.R., TO-92M | KRC107M | Q216 | 1 | EA | KRC107M-A/T/P |
| 189 |5 | HVKKRC107MT | T.R., TO-92M | KRC107M | Q217 | 1 | EA | KRC107M-A/T/P |
| 190 |5 | HVKKRC107MT | T.R., TO-92M | KRC107M | Q218 | 1 | EA | KRC107M-A/T/P |
| 191 |5 | HVKKRC107MT | T.R., TO-92M | KRC107M | Q219 | 1 | EA | KRC107M-A/T/P |
| 192 |5 | HVKKRA107MT | T.R., TO-92M | KRA107M | Q220 | 1 | EA | KRA107M-A/T/P |
| 193 |5 | HVKKRA102MT | T.R., TO-92M | KRA102M | Q221 | 1 | EA | KRA102M-A/T/P |
| 194 |5 | HVKKRC107MT | T.R., TO-92M | KRC107M | Q222 | 1 | EA | KRC107M-A/T/P |
| 195 |5 | HVKKTC3198YT | T.R. | KTC3198Y | Q223 | 1 | EA | KTC3198-Y-AT/PJ |
| 196 |5 | HVKKTC3198YT | T.R. | KTC3198Y | Q224 | 1 | EA | KTC3198-Y-AT/PJ |
| 197 |5 | HVKKRC107MT | T.R., TO-92M | KRC107M | Q225 | 1 | EA | KRC107M-A/T/P |
| 198 |5 | HVKKRC107MT | T.R., TO-92M | KRC107M | Q901 | 1 | EA | KRC107M-A/T/P |
| 199 |5 | HVKKRA102MT | T.R., TO-92M | KRA102M | Q902 | 1 | EA | KRA102M-A/T/P |
| 200 |5 | CRD20TJ105T | RES, CARBON (1 KOHM, 5%, 1/5W) | 1 KOHM 1/5W J | R201 | 1 | EA | |
| 201 |5 | CRD20TJ223T | RES, CARBON (22 KOHM, 5%, 1/5W) | 22 KOHM 1/5W J | R204 | 1 | EA | |
| 202 |5 | CRD20TJ223T | RES, CARBON (22 KOHM, 5%, 1/5W) | 22 KOHM 1/5W J | R205 | 1 | EA | |
| 203 |5 | CRD20TJ223T | RES, CARBON (22 KOHM, 5%, 1/5W) | 22 KOHM 1/5W J | R206 | 1 | EA | |
| 204 |5 | CRD20TJ100T | RES, CARBON (10 OHM, 5%, 1/5W) | 10 OHM 1/5W J | R207 | 1 | EA | |
| 205 |5 | CRD20TJ103T | RES, CARBON (10 KOHM, 5%, 1/5W) | 10 KOHM 1/5W J | R208 | 1 | EA | |
| 206 |5 | CRD20TJ102T | RES, CARBON (1 KOHM, 5%, 1/5W) | 1 KOHM 1/5W J | R209 | 1 | EA | |
| 207 |5 | CRD20TJ152T | RES, CARBON (1.5 KOHM, 5%, 1/5W) | 1.5 KOHM 1/5W J | R210 | 1 | EA | |
| 208 |5 | CRD20TJ182T | RES, CARBON (1.8 KOHM, 5%, 1/5W) | 1.8 KOHM 1/5W J | R211 | 1 | EA | |
| 209 |5 | CRD20TJ103T | RES, CARBON (10 KOHM, 5%, 1/5W) | 10 KOHM 1/5W J | R212 | 1 | EA | |
| 210 |5 | CRD20TJ153T | RES, CARBON (15 KOHM, 5%, 1/5W) | 15 KOHM 1/5W J | R213 | 1 | EA | |
| 211 |5 | CRD20TJ512T | RES, CARBON (5.1 KOHM, 5%, 1/5W) | 5.1K OHM J | R214 | 1 | EA | 5.1K OHM J |
| 212 |5 | CRD20TJ223T | RES, CARBON (22 KOHM, 5%, 1/5W) | 22 KOHM 1/5W J | R215 | 1 | EA | |
| 213 |5 | CRD20TJ104T | RES, CARBON (100 KOHM, 5%, 1/5W) | 100 KOHM 1/5W J | R216 | 1 | EA | |
| 214 |5 | CRD20TJ102T | RES, CARBON (1 KOHM, 5%, 1/5W) | 1 KOHM 1/5W J | R217 | 1 | EA | |
| 215 |5 | CRD20TJ333T | RES, CARBON (33 KOHM, 5%, 1/5W) | 33 KOHM 1/5W J | R218 | 1 | EA | |
| 216 |5 | CRD20TJ222T | RES, CARBON (2.2 KOHM, 5%, 1/5W) | 2.2 KOHM 1/5W J | R219 | 1 | EA | |
| 217 |5 | CRD20TJ222T | RES, CARBON (2.2 KOHM, 5%, 1/5W) | 2.2 KOHM 1/5W J | R220 | 1 | EA | |
| 218 |5 | CRD20TJ222T | RES, CARBON (2.2 KOHM, 5%, 1/5W) | 2.2 KOHM 1/5W J | R221 | 1 | EA | |
| 219 |5 | CRD20TJ105T | RES, CARBON (10 KOHM, 5%, 1/5W) | 10 KOHM 1/5W J | R222 | 1 | EA | |
| 220 |5 | CRD20TJ222T | RES, CARBON (2.2 KOHM, 5%, 1/5W) | 2.2 KOHM 1/5W J | R223 | 1 | EA | |
| 221 |5 | CRD20TJ221T | RES, CARBON (220 OHM, 5%, 1/5W) | 220 OHM 1/5W J | R227 | 1 | EA | |
| 222 |5 | CRD20TJ820T | RES, CARBON (82 OHM, 5%, 1/5W) | 82 OHM 1/5W J | R228 | 1 | EA | |
| 223 |5 | CRD20TJ101T | RES, CARBON (100 OHM, 5%, 1/5W) | 100 OHM 1/5W J | R229 | 1 | EA | |
| 224 |5 | CRD20TJ390T | RES, CARBON (39 OHM, 5%, 1/5W) | 39 OHM 1/5W J | R231 | 1 | EA | |
| 225 |5 | CRD20TJ102T | RES, CARBON (1 KOHM, 5%, 1/5W) | 1 KOHM 1/5W J | R232 | 1 | EA | |
| 226 |5 | CRD20TJ102T | RES, CARBON (1 KOHM, 5%, 1/5W) | 1 KOHM 1/5W J | R233 | 1 | EA | |
| 227 |5 | CRD20TJ473T | RES, CARBON (47 KOHM, 5%, 1/5W) | 47 KOHM 1/5W J | R234 | 1 | EA | |
| 228 |5 | CRD20TJ510T | RES, CARBON (51 KOHM, 5%, 1/5W) | 51 KOHM 1/5W J | R235 | 1 | EA | |
| 229 |5 | CRD20TJ332T | RES, CARBON (3.3 KOHM, 5%, 1/5W) | 3.3 KOHM 1/5W J | R236 | 1 | EA | |
| 230 |5 | CRD20TJ274T | RES, CARBON (270 KOHM, 5%, 1/5W) | 270 KOHM 1/5W J | R237 | 1 | EA | |
| 231 |5 | CRD20TJ332T | RES, CARBON (3.3 KOHM, 5%, 1/5W) | 3.3 KOHM 1/5W J | R238 | 1 | EA | |
| 232 |5 | CRD20TJ332T | RES, CARBON (3.3 KOHM, 5%, 1/5W) | 3.3 KOHM 1/5W J | R239 | 1 | EA | |
| 233 |5 | CRD20TJ274T | RES, CARBON (270 KOHM, 5%, 1/5W) | 270 KOHM 1/5W J | R240 | 1 | EA | |
| 234 |5 | CRD20TJ332T | RES, CARBON (3.3 KOHM, 5%, 1/5W) | 3.3 KOHM 1/5W J | R241 | 1 | EA | |
| 235 |5 | CRD20TJ103T | RES, CARBON (10 KOHM, 5%, 1/5W) | 10 KOHM 1/5W J | R242 | 1 | EA | |
| 236 |5 | CRD20TJ103T | RES, CARBON (10 KOHM, 5%, 1/5W) | 10 KOHM 1/5W J | R243 | 1 | EA | |

| | | | | | | | | |
|-----|------|-------------------|--|-----------------|--------|---|----|-----------------|
| 237 | ...5 | CRD20TJ103T | RES. CARBON (10 KOHM, 5%, 1/5W) | 10 KOHM 1/5W J | R244 | 1 | EA | |
| 238 | ...5 | CRD20TJ103T | RES. CARBON (10 KOHM, 5%, 1/5W) | 10 KOHM 1/5W J | R245 | 1 | EA | |
| 239 | ...5 | CRD20TJ103T | RES. CARBON (10 KOHM, 5%, 1/5W) | 10 KOHM 1/5W J | R246 | 1 | EA | |
| 240 | ...5 | CRD20TJ103T | RES. CARBON (10 KOHM, 5%, 1/5W) | 10 KOHM 1/5W J | R247 | 1 | EA | |
| 241 | ...5 | CRD20TJ513T | RES. CARBON (51 KOHM, 5%, 1/5W) | | R248 | 1 | EA | |
| 242 | ...5 | CRD20TJ473T | RES. CARBON (47 KOHM, 5%, 1/5W) | 47 KOHM 1/5W J | R249 | 1 | EA | |
| 243 | ...5 | CRD20TJ100T | RES. CARBON (10 OHM, 5%, 1/5W) | 10 OHM 1/5W J | R250 | 1 | EA | |
| 244 | ...5 | CRD20TJ100T | RES. CARBON (10 OHM, 5%, 1/5W) | 10 OHM 1/5W J | R251 | 1 | EA | |
| 245 | ...5 | CRD20TJ274T | RES. CARBON (270 KOHM, 5%, 1/5W) | | R252 | 1 | EA | |
| 246 | ...5 | CRD20TJ273T | RES. CARBON (27 KOHM, 5%, 1/5W) | 27 KOHM 1/5W J | R253 | 1 | EA | |
| 247 | ...5 | CRD20TJ273T | RES. CARBON (27 KOHM, 5%, 1/5W) | 27 KOHM 1/5W J | R254 | 1 | EA | |
| 248 | ...5 | CRD20TJ222T | RES. CARBON (2.2 KOHM, 5%, 1/5W) | 2.2 KOHM 1/5W J | R255 | 1 | EA | |
| 249 | ...5 | CRD20TJ222T | RES. CARBON (2.2 KOHM, 5%, 1/5W) | 2.2 KOHM 1/5W J | R256 | 1 | EA | |
| 250 | ...5 | CRD20TJ274T | RES. CARBON (270 KOHM, 5%, 1/5W) | | R257 | 1 | EA | |
| 251 | ...5 | CRD20TJ100T | RES. CARBON (10 OHM, 5%, 1/5W) | 10 OHM 1/5W J | R258 | 1 | EA | |
| 252 | ...5 | CRD20TJ100T | RES. CARBON (10 OHM, 5%, 1/5W) | 10 OHM 1/5W J | R259 | 1 | EA | |
| 253 | ...5 | CRD20TJ105T | RES. CARBON (1 MOHM, 5%, 1/5W) | 1 MOHM 1/5W J | R260 | 1 | EA | |
| 254 | ...5 | CRD20TJ392T | RES. CARBON (3.9 KOHM, 5%, 1/5W) | 3.9 KOHM 1/5W J | R261 | 1 | EA | |
| 255 | ...5 | CRD20TJ105T | RES. CARBON (1 MOHM, 5%, 1/5W) | 1 MOHM 1/5W J | R262 | 1 | EA | |
| 256 | ...5 | CRD20TJ392T | RES. CARBON (3.9 KOHM, 5%, 1/5W) | 3.9 KOHM 1/5W J | R263 | 1 | EA | |
| 257 | ...5 | CRD20TJ102T | RES. CARBON (1 KOHM, 5%, 1/5W) | 1 KOHM 1/5W J | R264 | 1 | EA | |
| 258 | ...5 | CRD20TJ473T | RES. CARBON (47 KOHM, 5%, 1/5W) | 47 KOHM 1/5W J | R265 | 1 | EA | |
| 259 | ...5 | CRD20TJ223T | RES. CARBON (22 KOHM, 5%, 1/5W) | 22 KOHM 1/5W J | R266 | 1 | EA | |
| 260 | ...5 | CRD20TJ473T | RES. CARBON (47 KOHM, 5%, 1/5W) | 47 KOHM 1/5W J | R267 | 1 | EA | |
| 261 | ...5 | CRD20TJ102T | RES. CARBON (1 KOHM, 5%, 1/5W) | 1 KOHM 1/5W J | R268 | 1 | EA | |
| 262 | ...5 | CRD20TJ100T | RES. CARBON (10 OHM, 5%, 1/5W) | 10 OHM 1/5W J | R269 | 1 | EA | |
| 263 | ...5 | CRD20TJ100T | RES. CARBON (10 OHM, 5%, 1/5W) | 10 OHM 1/5W J | R270 | 1 | EA | |
| 264 | ...5 | CRD20TJ224T | RES. CARBON (220 KOHM, 5%, 1/5W) | 220 KOHM 1/5W J | R271 | 1 | EA | |
| 265 | ...5 | CRD20TJ223T | RES. CARBON (22 KOHM, 5%, 1/5W) | 22 KOHM 1/5W J | R272 | 1 | EA | |
| 266 | ...5 | CRD20TJ272T | RES. CARBON (2.7 KOHM, 5%, 1/5W) | 2.7 KOHM 1/5W J | R273 | 1 | EA | |
| 267 | ...5 | CRD20TJ103T | RES. CARBON (10 KOHM, 5%, 1/5W) | 10 KOHM 1/5W J | R274 | 1 | EA | |
| 268 | ...5 | CRD20TJ103T | RES. CARBON (10 KOHM, 5%, 1/5W) | 1 KOHM 1/5W J | R275 | 1 | EA | |
| 269 | ...5 | CRD20TJ473T | RES. CARBON (47 KOHM, 5%, 1/5W) | 47 KOHM 1/5W J | R276 | 1 | EA | |
| 270 | ...5 | CRD20TJ473T | RES. CARBON (47 KOHM, 5%, 1/5W) | 47 KOHM 1/5W J | R277 | 1 | EA | |
| 271 | ...5 | CRD20TJ103T | RES. CARBON (10 KOHM, 5%, 1/5W) | 10 KOHM 1/5W J | R279 | 1 | EA | |
| 272 | ...5 | CRD20TJ103T | RES. CARBON (10 KOHM, 5%, 1/5W) | 10 KOHM 1/5W J | R280 | 1 | EA | |
| 273 | ...5 | CRD20TJ101T | RES. CARBON (100 OHM, 5%, 1/5W) | 100 OHM 1/5W J | R281 | 1 | EA | |
| 274 | ...5 | CRD20TJ102T | RES. CARBON (1 KOHM, 5%, 1/5W) | 1 KOHM 1/5W J | R282 | 1 | EA | |
| 275 | ...5 | CRD20TJ103T | RES. CARBON (10 KOHM, 5%, 1/5W) | 10 KOHM 1/5W J | R283 | 1 | EA | |
| 276 | ...5 | CRD20TJ393T | RES. CARBON (3.9 KOHM, 5%, 1/5W) | 3.9 KOHM 1/5W J | R284 | 1 | EA | |
| 277 | ...5 | CRD20TJ103T | RES. CARBON (10 KOHM, 5%, 1/5W) | 10 KOHM 1/5W J | R902 | 1 | EA | |
| 278 | ...5 | CST1A0122T | SW, TACT SKHV10910G | SKHV10910G | S201 | 1 | EA | 00802-0005 |
| 279 | ...5 | CST1A0122T | SW, TACT SKHV10910G | SKHV10910G | S202 | 1 | EA | 00802-0005 |
| 280 | ...5 | CST1A0122T | SW, TACT SKHV10910G | SKHV10910G | S203 | 1 | EA | 00802-0005 |
| 281 | ...5 | CST1A0122T | SW, TACT SKHV10910G | SKHV10910G | S204 | 1 | EA | 00802-0005 |
| 282 | ..4 | CQB1D022 | A-ROHS LABEL SERIAL | | | 1 | EA | |
| 283 | ..4 | KL29H001Z | BEAD, CORE | | BD91 | 1 | EA | |
| 284 | ..4 | CMD1A387 | BRACKET, PCB | | BK21 | 1 | EA | ALL MODEL |
| 285 | ..4 | CMD1A387 | BRACKET, PCB | | BK22 | 1 | EA | ALL MODEL |
| 286 | ..4 | CMD1A569 | BRACKET, PCB | | BK71 | 1 | EA | |
| 287 | ..4 | CMD1A569 | BRACKET, PCB | | BK72 | 1 | EA | |
| 288 | ..4 | CWB1B20722047 | WIRE ASSY (7PIN, 2.0MM, 220MM, FLAT) | | BN21 | 1 | EA | |
| 289 | ..4 | CWB1B21515047 | WIRE ASSY (15PIN, 2.0MM, 150MM, FLAT) | | BN22 | 1 | EA | |
| 290 | ..4 | CWB1C30720047001 | WIRE ASSY (SHIELD, 7PIN, 2.0MM, 280MM) | | BN23 | 1 | EA | |
| 291 | ..4 | CWB1C303110047001 | WIRE ASSY (SHIELD, 3PIN, 2.0MM, 100MM) | | BN24 | 1 | EA | |
| 292 | ..4 | CWB1C303550047001 | WIRE ASSY (SHIELD, 5PIN, 2.0MM, 350MM) | | BN25 | 1 | EA | |
| 293 | ..4 | CWB1D20905058 | WIRE ASSY (9PIN, 2.5MM, 50MM) | | BN71 | 1 | EA | |
| 294 | ..4 | CWB1D20905058 | WIRE ASSY (9PIN, 2.5MM, 50MM) | | BN72 | 1 | EA | |
| 295 | ..4 | CWB4D232450VZ | WIRE ASSY (2PIN, 3.96MM, 450MM) | | BN91 | 1 | EA | |
| 296 | ..4 | CJP09GA115ZY | WAFER, CARD CABLE | | CN21 | 1 | EA | 12511HS-09 |
| 297 | ..4 | CJP07HA37ZM | WAFER | | CN22 | 1 | EA | 42140-2207 |
| 298 | ..4 | CJP07HA37ZM | WAFER | | CN23 | 1 | EA | 42140-2207 |
| 299 | ..4 | CJP09GI236ZM | LOCKING TYPE, STRAIGHT WAFER, 2MM | | CN24 | 1 | EA | A2008WV0-3P |
| 300 | ..4 | CJP07GI236ZM | LOCKING TYPE, STRAIGHT WAFER, 2MM | | CN25 | 1 | EA | A2008WV0-7P |
| 301 | ..4 | CJP03GA90ZY | WAFER | | CN71 | 1 | EA | |
| 302 | ..4 | CJP02KA060ZY | WAFER | | CN91 | 1 | EA | |
| 303 | ..4 | CJP02GA89ZM | WAFER | | CN92 | 1 | EA | 35328-0260 |
| 304 | ..4 | CJP02KA060ZY | WAFER | | CN93 | 1 | EA | |
| 305 | ..4 | CJP07GI236ZM | LOCKING TYPE, STRAIGHT WAFER, 2MM | | CN95 | 1 | EA | A2008WV0-7P |
| 306 | ..4 | CCE1T75VKP0103NK | CAP. ELECT | | C706 | 1 | EA | |
| 307 | ..4 | CCE1T75VKP0103NK | CAP. ELECT | | C707 | 1 | EA | |
| 308 | ..4 | CCQF2E104KZC | CAP. X2 | | C902 | 1 | EA | DMPX104K2SP100B |
| 309 | ..4 | KCKDKS472ME | CAP. CERAMIC (X1/Y2/SC) | 0.0047UF/2.5KV | C903 | 1 | EA | 0.0047UF/2.5KV |
| 310 | ..4 | CCEA1EH102E | CAP. ELECT | 1000UF 25V | C909 | 1 | EA | 25V 1000UF 10*2 |
| 311 | ..4 | CVDGBJ1506BGA | M80 DIODE HEATSINK ASSY (CMY4A138) | | D701 | 1 | EA | |
| 312 | ...5 | CMY4A138 | HEATSINK, DIODE | H60 | | 1 | EA | HK/3380/9480 |
| 313 | ...5 | CTB3+SJR | SCREW | | | 1 | EA | 00M51280308M0 |
| 314 | ...5 | HVDC611506 | DIODE, BRIDGE. (600V) | GBJ1506 | | 1 | EA | GBJ1506 |
| 315 | ..4 | CMC1A111 | PLATE, EARTH | | ET91 | 1 | EA | ALL MODEL |
| 316 | ..4 | CVIANAM1521A | I.C. U-COM A-R650 (CVSTM32F101R8T6) | | IC21 | 1 | EA | |
| 317 | ..5 | CVSTM32F101R8T6 | IC, FLASH MCU (32BIT, 64KB) | | IC21 | 1 | EA | STM32F101R8T6 |
| 318 | ..4 | CRVKSM603TE5B | SENSOR, REMOCON | | IC22 | 1 | EA | |
| 319 | ..4 | BVIBA33B0CFP | I.C. REGULATOR (3.3V SMD Type) | ROHM 3.3V SMD | IC23 | 1 | EA | |
| 320 | ..4 | HVDC4066BM96 | I.C. CD4066BM96 SWITCH | CD4066BM96 | IC24 | 1 | EA | CD4066BM96 |
| 321 | ..4 | CVIML61C183PR | I.C. RESET (1.8V, SOT-89) | ML61C183PRG | IC25 | 1 | EA | ML61C183PR |
| 322 | ..4 | HVINJM4556AL | I.C. HEADPHONE (JRC) | NJM4556AL | IC26 | 1 | EA | NJM4556AL |
| 323 | ..4 | HVINJM4556AL | I.C. HEADPHONE (JRC) | NJM4556AL | IC27 | 1 | EA | NJM4556AL |
| 324 | ..4 | HVINJM4556AL | I.C. HEADPHONE (JRC) | NJM4556AL | IC28 | 1 | EA | NJM4556AL |
| 325 | ..4 | CVINUJ7223F50 | I.C. REGULATOR (5V, TO-220F) | NJU7223F50 | IC91 | 1 | EA | NJU7223F50-TE1 |
| 326 | ..4 | CJU2E026Z | JACK, HEADPHONE (SILVER PLATE) | | JK21 | 1 | EA | PJ-612A-51 |
| 327 | ..4 | CJU2E026Z | JACK, HEADPHONE (SILVER PLATE) | | JK22 | 1 | EA | PJ-612A-51 |
| 328 | ..4 | CWE8202180AR | 1P RING WIRE (180mm, #18, 300V) | | JW21 | 1 | EA | |
| 329 | ..4 | CWE8202180AR | 1P RING WIRE (180mm, #18, 300V) | | JW22 | 1 | EA | |
| 330 | ..4 | CWE8202060AR | WIRE ASSY | JW01 | JW23 | 1 | EA | JW01 |
| 331 | ..4 | CJU7A021Z | JACK, AC OUTLET | A302D0060P | OL91 | 1 | EA | A302D0060P |
| 332 | ..4 | CSL1E002ZE | RELAY, POWER | G5PA-1 (DC 6V) | RL91 | 1 | EA | G5PA-1 DC6V |
| 333 | ..4 | CRD50FJ123T | RES. CARBON | | R701 | 1 | EA | |
| 334 | ..4 | CRD50FJ123T | RES. CARBON | | R702 | 1 | EA | |
| 335 | ..4 | CSR2A034Z | VR, ENCODER | | SW21 | 1 | EA | |
| 336 | ..4 | KSH2B003Z | SW, PUSH (VERTICAL) CN | | 220014 | 1 | EA | 220014 |
| 337 | ..4 | KSH2B003Z | SW, PUSH (VERTICAL) CN | | 220014 | 1 | EA | 220014 |
| 338 | ..4 | KSH2B011Z | SW, PUSH | SPUL19X1M071 | SW24 | 1 | EA | SPUL19X1M071 |
| 339 | ..4 | KSH1A001ZV | SW, PUSH (MOMS) CN | JPP1197CSA64 | SW91 | 1 | EA | |
| 340 | ..4 | CLT61009ZE | TRANS. SUB CD6002N | | T901 | 1 | EA | |
| 341 | ..4 | CVV2X04B503Z | RES. VARIABLE TONE | | VR22 | 1 | EA | EWCEW6F02B54 |
| 342 | ..4 | CVV1U01W104Y | RES. VARIABLE | | VR23 | 1 | EA | |
| 343 | ..4 | CVV2X04B503Z | RES. VARIABLE TONE | | VR24 | 1 | EA | EWCEW6F02B54 |
| 344 | ..4 | CVV1U01B503Y | RES. VARIABLE | | VR25 | 1 | EA | |
| 345 | ..4 | HGX08000E160C | CRYSTAL 8MHz | X201 | | 1 | EA | |
| 346 | ..3 | COP12282B | A-R650 MAIN PCB ASS'Y | | | 1 | EA | |
| 347 | ..4 | CIP12282B | A-R650 MAIN PCB AUTO ASS'Y | | | 1 | EA | |
| 348 | ...5 | CIP12282BSMD | A-R650 MAIN PCB SMD ASS'Y | | | 1 | EA | |
| 349 | ...6 | CUP1220Z | P.CD.MAIN A-R650 (330X247,FR1/1) | | | 1 | EA | |
| 350 | ...6 | CCUS1H104KC | CAP. CHIP (1608, 50V/0.1uF) | 0.1UF 50V K | C301 | 1 | EA | |
| 351 | ...6 | CCUS1H180JA | CAP. CHIP (1608, 50V/18 PF) | 18 PF 50V J | C302 | 1 | EA | |
| 352 | ...6 | CCUS1H180JA | CAP. CHIP (1608, 50V/18 PF) | 18 PF 50V J | C303 | 1 | EA | |
| 353 | ...6 | CCUS1H151JA | CAP. CHIP (1608, 50V/150 PF) | 150 PF 50V J | C304 | 1 | EA | |
| 354 | ...6 | CCUS1H151JA | CAP. CHIP (1608, 50V/150 PF) | 150 PF 50V J | C305 | 1 | EA | |
| 355 | ...6 | CCUS1H220JA | CAP. CHIP (1608, 50V/22 PF) | 22 PF 50V J | C306 | 1 | EA | |
| 356 | ...6 | CCUS1H220JA | CAP. CHIP (1608, 50V/22 PF) | 22 PF 50V J | C307 | 1 | EA | |
| 357 | ...6 | CCUS1H104KC | CAP. CHIP (1608, 50V/0.1uF) | 0.1UF 50V K | C316 | 1 | EA | |

| | | | | | | | | |
|------|------|--------------------|--|-----------------------|------|------|----|---------------|
| 963 | ...5 | CRD20TJ273T | RES. CARBON (27 KOHM, 5%, 1/5W) | 27 KOHM 1/5W J | R465 | 1 | EA | |
| 964 | ...5 | CRD20TJ223T | RES. CARBON (22 KOHM, 5%, 1/5W) | 22 KOHM 1/5W J | R466 | 1 | EA | |
| 965 | ...5 | CRD20TJ911T | RES. CARBON (910 OHM, 5%, 1/5W) | 910 OHM 1/5W J | R467 | 1 | EA | |
| 966 | ...5 | CRD20TJ121T | RES. CARBON (120 OHM, 5%, 1/5W) | 120 OHM 1/5W J | R468 | 1 | EA | |
| 967 | ...5 | CRD20TJ223T | RES. CARBON (22 KOHM, 5%, 1/5W) | 22 KOHM 1/5W J | R469 | 1 | EA | |
| 968 | ...5 | CRD20TJ333T | RES. CARBON (33 KOHM, 5%, 1/5W) | 33 KOHM 1/5W J | R470 | 1 | EA | |
| 969 | ...5 | CRD20TJ102T | RES. CARBON (1 KOHM, 5%, 1/5W) | 1 KOHM 1/5W J | R471 | 1 | EA | |
| 970 | ...5 | CRD20TJ102T | RES. CARBON (1 KOHM, 5%, 1/5W) | 1 KOHM 1/5W J | R472 | 1 | EA | |
| 971 | ...5 | CRD25TJ101T | RES. CARBON (100 OHM, 5%, 1/4W) | | R473 | 1 | EA | |
| 972 | ...5 | CRD20TJ222T | RES. CARBON (2.2 KOHM, 5%, 1/5W) | 2.2 KOHM 1/5W J | R474 | 1 | EA | |
| 973 | ...5 | CRD20TJ222T | RES. CARBON (2.2 KOHM, 5%, 1/5W) | 2.2 KOHM 1/5W J | R475 | 1 | EA | |
| 974 | ...5 | CRD20TJ273T | RES. CARBON (27 KOHM, 5%, 1/5W) | 27 KOHM 1/5W J | R476 | 1 | EA | |
| 975 | ...5 | CRD20TJ223T | RES. CARBON (22 KOHM, 5%, 1/5W) | 22 KOHM 1/5W J | R477 | 1 | EA | |
| 976 | ...5 | CRD20TJ911T | RES. CARBON (910 OHM, 5%, 1/5W) | 910 OHM 1/5W J | R478 | 1 | EA | |
| 977 | ...5 | CRD20TJ560T | RES. CARBON (56 OHM, 5%, 1/5W) | 56 OHM 1/5W J | R479 | 1 | EA | |
| 978 | ...5 | CRD20TJ560T | RES. CARBON (56 OHM, 5%, 1/5W) | 56 OHM 1/5W J | R480 | 1 | EA | |
| 979 | ...5 | CRD20TJ122T | RES. CARBON | 1.2 KOHM 1/5W J | R481 | 1 | EA | |
| 980 | ...5 | CRD20TJ563T | RES. CARBON (56 KOHM, 5%, 1/5W) | 56 KOHM 1/5W J | R482 | 1 | EA | |
| 981 | ...5 | CRD20TJ102T | RES. CARBON (1 KOHM, 5%, 1/5W) | 1 KOHM 1/5W J | R483 | 1 | EA | |
| 982 | ...5 | CRD20TJ222T | RES. CARBON (2.2 KOHM, 5%, 1/5W) | 2.2 KOHM 1/5W J | R484 | 1 | EA | |
| 983 | ..4 | CQB1D022 | A-ROHS/LABEL/SERIAL | | | 1 | EA | |
| 984 | ..4 | CMD1A569 | BRACKET, PCB | | BK41 | 1 | EA | |
| 985 | ..4 | CMD1A569 | BRACKET, PCB | | BK42 | 1 | EA | |
| 986 | ..4 | CWB1C90512058002 | WIRE ASSY (SHIELD, 5PIN, 2.0MM, 120MM) | | BN41 | 1 | EA | |
| 987 | ..4 | CWB1C90710047001 | WIRE ASSY (SHIELD, 7PIN, 2.0MM, 100MM) | | BN42 | 1 | EA | |
| 988 | ..4 | CWB1C90920047001 | WIRE ASSY (SHIELD, 9PIN, 2.0MM, 350MM) | | BN45 | 1 | EA | |
| 989 | ..4 | CJP09GA115ZY | WAFER, CARD CABLE | | CN41 | 1 | EA | 12511HS-09 |
| 990 | ..4 | CJP07GB113ZY | WAFER, CARD CABLE | | CN42 | 1 | EA | |
| 991 | ..4 | CJP07GF230ZB | PIN HEADER, 7PANGLE (PH2.54 1X7X90 L=20.5) | | CN44 | 1 | EA | |
| 992 | ..4 | CJP07GF230ZB | PIN HEADER, 7PANGLE (PH2.54 1X7X90 L=20.5) | | CN46 | 1 | EA | |
| 993 | ..4 | CJ44N023Z | JACK, REMOTE (2P) | GOLD PLATE | JW41 | 1 | EA | GOLD PLATE |
| 994 | ..4 | CWE802140AR | WIRE ASSY (1P) | | | 1 | EA | |
| 995 | ..4 | HVT2SC2911S | T.R | 2SC2911S | Q406 | 1 | EA | 2SC2911S |
| 996 | ..4 | HVT2SA1209S | T.R | 2SA1209S | Q407 | 1 | EA | 2SA1209S/T |
| 997 | ..4 | HVT2SC2911S | T.R | 2SC2911S | Q413 | 1 | EA | 2SC2911S |
| 998 | ..4 | HVT2SA1209S | T.R | 2SA1209S | Q414 | 1 | EA | 2SA1209S/T |
| 999 | ..4 | CVV9Y14A503Z | VOLUME, MOTOR | RK16812MG2RB-50KA X 2 | VR41 | 1 | EA | |
| 1000 | .3 | CTB3+1QJFZR | SCREW | | | 11 | EA | |
| 1001 | .3 | CTB3+6FFZR | SCREW | | | 4 | EA | |
| 1002 | .3 | CTB3+6JR | SCREW | | | 10 | EA | |
| 1003 | .3 | CTB3+8JFZR | SCREW | | | 14 | EA | |
| 1004 | .3 | CTW3+12JR | SCREW | | | 3 | EA | |
| 1005 | .3 | CTW3+16JR | SCREW | | | 2 | EA | |
| 1006 | .3 | CTW3+6JR | SCREW | | | 2 | EA | |
| 1007 | .3 | CTW3+8JR | SCREW | | | 8 | EA | |
| 1008 | .3 | CUA5A148 | BOTTOM, CHASSIS | | | 1 | EA | |
| 1009 | .3 | CWC4C4A09B300B08BK | FFC CABLE 1.25MM 9P 300MM | | | 1 | EA | |
| 1010 | .3 | CWZPM5003TW91A | 2P WIRE ASSY (100MM) | | | 1 | EA | |
| 1011 | ..4 | CJ48A006ZW | RECEPTACLE, AC (15A/250V,R-301,B21) | R-301(B21) | RT01 | 1 | EA | R-301-(B21) |
| 1012 | ..4 | CWZPM5003TW91 | 2P WIRE ASSY (100MM) | | TW91 | 1 | EA | |
| 1013 | .3 | KBA2C4000TLEZ | FUSE, T4A L 250 V | | | 1 | EA | |
| 1014 | .3 | KMA2A001 | TERMINAL, GROUND | | | 1 | EA | |
| 1015 | 1 | CHE154 | CLAMPER, ARM | | | 0.12 | M | |
| 1016 | 1 | CJA2E077Z | CORD, POWER | 10A/125V | | 1 | EA | 10A/125V |
| 1017 | 1 | CPB1A008Z | BAG, POLY | | | 1 | EA | ALL MODEL |
| 1018 | 1 | CPB1A018Y | BAG, POLY | | | 1 | EA | STA-3760/50 |
| 1019 | 1 | CPG1A550X | BOX, OUT CARTON | | | 1 | EA | |
| 1020 | 1 | CPL18A5M | STAPLE | | | 8 | EA | |
| 1021 | 1 | CPS1A396 | PAD, SNOW | | | 1 | EA | A-R600EURCC |
| 1022 | 1 | CPS1A397 | PAD, SNOW | | | 1 | EA | A-R600EURCC |
| 1023 | 1 | CQB1A622 | LABEL, SERIAL NO | | | 1 | EA | DVD-310 |
| 1024 | 1 | CQB1A918 | LABEL, BAR CODE | | | 2 | EA | |
| 1025 | 1 | CQB1A978 | LABEL, BAR CODE (SET) | | | 1 | EA | |
| 1026 | 1 | CQS1A001 | RIBON, BAR CODE | SONY(TR-4070) | | 0.12 | M | SONY(TR-4070) |
| 1027 | 1 | CQXAR650UK | MANUAL ASSY | | | 1 | EA | |
| 1028 | 2 | CABR03PPB | BATTERY, AAA 2PCS IN PACK | | | 2 | EA | 00D3940012003 |
| 1029 | 2 | CARTAR650 | REMOTE TRANSMITTER ASSY UR-431 | | | 1 | EA | KRC-58A43RC |
| 1030 | 2 | CPB1061W | BAG, POLY (ENGLISH/FRANCH) | FRANCE LANGUAGE ADDED | | 1 | EA | |
| 1031 | 2 | CPL0905 | STAPLE | | | 3 | EA | |
| 1032 | 2 | CQB1A971 | LABEL, BAR CODE (MANUAL) | | | 1 | EA | |
| 1033 | 2 | CQE1A370Y | WARRANTY CARD (EUR UK) | | | 1 | EA | |
| 1034 | 2 | CQX1A1523Z | MAMUAL, INSTRUCTION (EFGGIN) | | | 1 | EA | |
| 1035 | 1 | C4FC240CL | TAPE, P.P (24mm*50mm) | | | 0.2 | M | |
| 1036 | 1 | C4FC500CL | TAPE, OPP | | | 1 | M | |

A-R630/A-R650

TEAC

TEAC CORPORATION 1-47,Ochiai, Tamashi, Tokyo 206-8530, Japan Phone: (042) 356-9155

TEAC AMERICA, INC. 7733 Telegraph Road, Montebello, California 90640 Phone: (323) 726-0303

TEAC CANADA LTD. 5939 Wallace Street, Mississauga, Ontario L4Z 1Z8, Canada Phone: (905) 890-8008

TEAC MEXICO, S.A. De C.V Rio Churubusco 364, Colonia Del Carmen, Delegación Coyoacán, CP 04100, México DF, México Phone: (5255) 5010-6000

TEAC UK LIMITED Unit 19 & 20, The Courtyards, Hatters Lane, Watford, Hertfordshire, WD18 8TE, U.K. Phone: (0845) 130-2511

TEAC EUROPE GmbH Bahnstrasse 12, 65205 Wiesbaden-Erbenheim, Germany Phone: 0611-71580
